

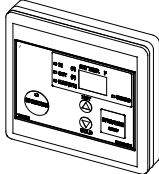
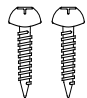
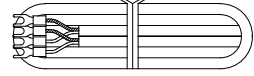
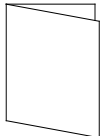
Temperature Remote Controller: 9007666005 (TK-RE02)

INSTALLATION INSTRUCTIONS

FOR YOUR SAFETY

For installer and owners safety, please read these instructions very carefully before installation, and follow the instructions exactly. After installation, please give this manual to the owner.

INCLUDED ACCESSORIES

Remote Controller	Screws	Remote controller cable*	Manual
 H4.7" W5.0" D0.87"	 Qty: 2	 Qty: 1	 Qty: 1
Qty: 1	Qty: 2	Qty: 1	Qty: 1

*No cable is included in the optional TK-RE02.

INSTALLATION



CAUTION

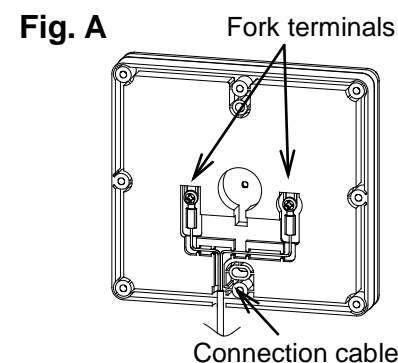
- This remote controller is NOT waterproof.** Do not install in high-temperature environments, steamy conditions such as inside of bathroom, outdoors, in direct sunshine, and/or where children can reach. Make sure the remote controller does not come into contact with water or oil.
- Failure to follow precautions may cause malfunction or failure.
 - Do not place the remote control wiring close to other cable from other products.
 - Do not extend the remote control wiring more than **150 feet**.
 - Use of a conduit is recommended to protect remote control wiring, minimum 20 AWG wire (No polarity).

<Water heaters available for the remote controller>

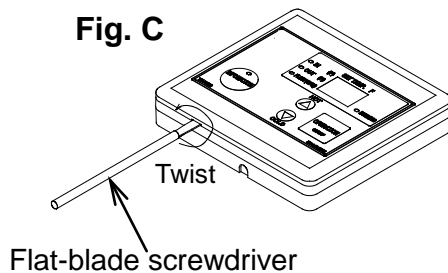
Model numbers
110 model (T-KJr2-IN/OS) / 310 model (T-K4-IN/OS)

<Remote Controller Wiring>

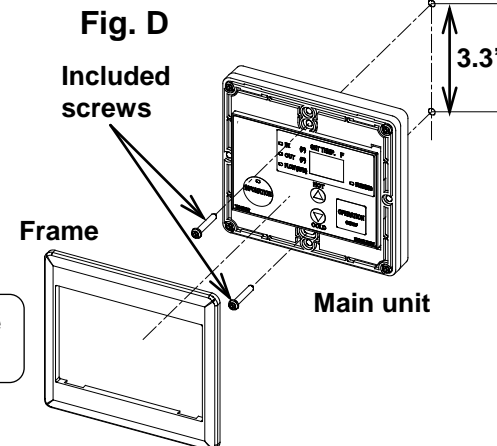
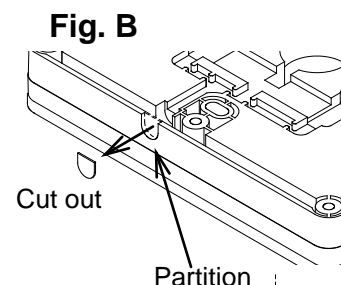
- If you use another cable, crimp the "Fork terminals" to the connection cable.
- Attach the "Fork terminal" to the connector base of the backside unit with two screws tight. (Fig. A)
- Cut out the partition using pliers. Insert the wiring into the grooves and through the partition. (Fig. B)



- Take off the "Frame" from the remote controller by flat-blade screwdriver etc. (Fig. C)
- Attach the main unit to a wall using the supplied screws. Do NOT overtighten. (Fig. D)
- Attach the "Frame" back onto the remote.



Press flat-blade screwdriver against the cutout. Then twist flat-blade screwdriver.

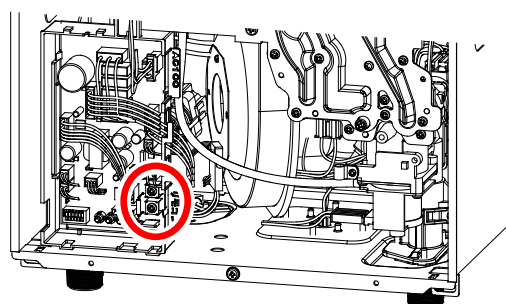


<Connecting to the Water heater>

- Turn off the 120 VAC power supply to the water heater.
- Take off the front cover of the unit. There are 3 or 4 screws on the front cover.
- Locate the remote control terminals on the heater's computer board. Reference Fig. E.
- Slide the connection cable through the hole on the bottom of the unit's casing.
- Connect the connection cable with the remote terminals in the unit properly. (The terminals are not polarity sensitive.)
- Place the front cover back on. Turn on the 120 VAC power supply.

Fig. E

Remote terminals of the water heater



CAUTION

Make sure the connection cable and the remote terminals are not shorted out, or the computer boards of the unit will be damaged.

OPERATION

<Set temperature>

- Turn on the 120 VAC power supply to the water heater.
- Press the "OPERATION" button on the remote in order to turn the remote controller on. It shows the set temperature on its display as shown in Fig. F.
- Press the "HOT" button or the "COLD" button to set the temperature setting of the unit.
- You can set the temperature from 99 °F (38 °C) to 122 °F (50 °C).

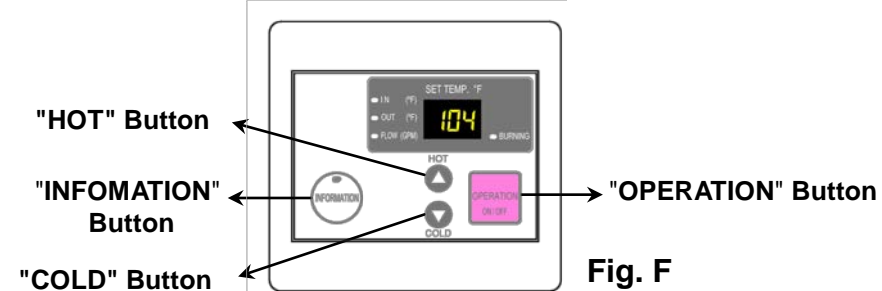
Increasing temperature from 122 °F (50 °C) to 140 °F (60 °C)

- Press the "HOT" button to set 122 °F (50 °C).
- Press and hold the "INFORMATION" button and the "HOT" button for at least 3 seconds. The remote will emit a beep and change to 131 °F (55 °C).
- Press the "HOT" button to set up to 140 °F (60 °C).

Increasing temperature above 140 °F (60 °C)

- Press the "HOT" button to set 140 °F (60 °C).
- Press and hold the "INFORMATION" button and the "HOT" button for at least 3 seconds. The remote will emit a beep and change to 158 °F (70 °C).
- Press the "HOT" button to set up to 167 °F (75 °C).

<Exterior view of the remote controller>



<The temperature options>

(Unit: °F)

99	100	102	104	106	108	110	111	113	115	117	122	131	140	158	167
----	-----	-----	-----	-----	-----	-----	-----	-----	-----	-----	-----	-----	-----	-----	-----



CAUTION

Temperature above 122 °F (50 °C) can cause severe burns or death from scalding. Children, disabled and the elderly are at high risk of being injured.

<Buzzer operation and Error code>

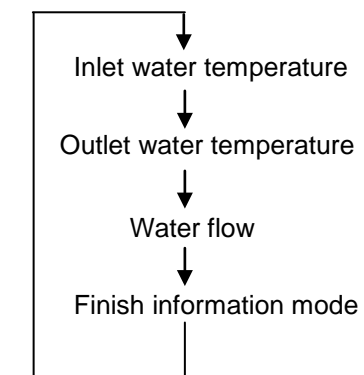
If there is a problem with the water heater, the remote controller will sound a buzzer and display the error code to inform you the source of the problem.

You can stop the buzzer by pressing any buttons. For details on the error code, refer to the water heater's Installation Manual.

<Information mode>

You can get some information about the water heater condition by pressing the "INFORMATION" button.

During the information mode, the information will be rotated by pressing the "INFORMATION" button as the example to the right shows:



<Backup function for power failures>

The remote controller has a function that automatically memorizes the temperature settings. In the case of power supply blackouts, the remote controller will still retain these settings when the power returns.

If you have any questions, please call or write to the manufacturer listed on the rating plate of your water heater.