

Electric Tankless Water heaters

INSTALLATION INSTRUCTIONS & HOME OWNERS MANUAL

IMPORTANT SAFETY INFORMATION

When installing or using any high voltage electrical appliance, basic safety precautions should always be followed. Under no circumstance should you attempt to clean, install, inspect, repair, disassemble or otherwise service this water heater, without first shutting off all power to the unit directly at the circuit breaker box. **SERIOUS BODILY INJURY OR DEATH COULD OCCUR IF YOU IGNORE THIS WARNING.**

THIS PRODUCT SHOULD BE INSTALLED BY A QUALIFIED ELECTRICIAN AND A QUALIFIED PLUMBER IN ACCORDANCE WITH ALL NATIONAL, STATE, PROVINCIAL AND LOCAL ELECTRICAL & PLUMBING CODES.

PLEASE READ THESE INSTRUCTIONS THOROUGHLY AND COMPLETELY PRIOR TO INSTALLATION & USE. FAILURE TO DO SO COULD CAUSE PROPERTY DAMAGE, SERIOUS INJURY, OR DEATH.

This manual should be given to the homeowner after installation and should be retained for future reference.

Proposition 65 Warning: This product contains chemicals known to the State of California to cause cancer, birth defects or other reproductive harm



Tested and certified by the Water Quality Association against NSF/ANSI 372 for lead free compliance.



Recognize this symbol as an indication of Important Safety Information!

DO NOT destroy this manual. Please read carefully and keep it in a safe place for future reference

IMPORTANT SAFETY INFORMATION.

READ ALL INSTRUCTIONS BEFORE USING




DANGER!

WATER TEMPERATURE SAFETY SETTING

Safety and energy conservation are factors to be considered when selecting the water temperature setting of water heater's thermostat. Water temperatures above the 125°F (52°C) can cause severe burns or death from scalding. Be sure to read and follow the warnings outlined on the label pictured below. This label is also located on the water heater near the thermostat access panel.

! DANGER



Water temperature over 125°F can cause severe burns instantly or death from scalds.

Children, disabled and elderly are at highest risk of being scalded.

See instruction manual before setting temperature at water heater.

Feel water before bathing or showering.

Temperature limiting valves are available, see manual.

Notice: Mixing valves are recommended for reducing point of use water temperature by mixing hot and cold water in branch water lines. It is recommended that a mixing valve complying with the Standard for Temperature Actuated Mixing Valves for Hot Water Distribution Systems, ASSE 1017 be installed.

Time/Temperature Relationship in Scalds

Water Temperature	Time to Produce a Serious Burn
120°F (49°C)	More than 5 minutes
125°F (52°C)	1 1/2 to 2 minutes
130°F (54°C)	About 30 seconds
135°F (57°C)	About 10 seconds
140°F (60°C)	Less than 5 seconds
145°F (63°C)	Less than 3 seconds
150°F (66°C)	About 1 1/2 seconds
155°F (68°C)	About 1 second

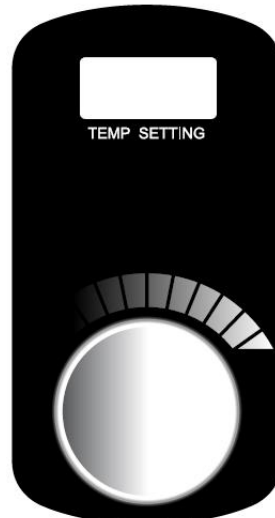
Table courtesy of Shriners Burn Institute

The chart shown above may be used as a guide in determining the proper water temperature for your home.



DANGER

Households with small children, disabled, or elderly persons may require a 120°F (49°C) or lower thermostat setting to prevent contact with "HOT" water. The temperature of the water in the heater is regulated by the electronic control on the front of the water heater. To comply with safety regulations the thermostat was set at 120°F (49°C) before the water heater was shipped from the factory.



Please consult Section 10 to learn more about setting your heaters temperature. Rotate right for higher temperature (up to 140°F (60°C) or rotate left for cooler temperature (as low as 80°F (27°C) will be displayed on the screen above the knob.

ABOUT YOUR TANKLESS WATER HEATER

Congratulations on the purchase of your Electric Tankless Water Heater! You have purchased the most technologically-advanced electric tankless water heater on the market today.

Your new electric tankless water heater features advanced water flow rate and temperature sensors designed to modulate power to the heating elements to maintain a user-selected output water temperature between 80°F (27°C) and 140°F (60°C) (subject to incoming water temperature and power of the selected heaters).

To get the best performance and energy savings from your electric tankless water heater, it is important that it be installed in accordance with our instructions and the electrical and plumbing codes applicable to your area, and that you read this manual thoroughly for important operating instructions and tips.

If you have questions at any time, please contact us directly at:

Manufacturer's National Service Department
400 Captain Neville Dr. Waterbury, CT 06705 Phone: 1-(800)-374-8806.

CONTENTS

1. BEFORE INSTALLATION
2. SELECTING A LOCATION TO INSTALL
3. MOUNTING YOUR WATER HEATER
4. PLUMBING INSTALLATION
5. ELECTRICAL INSTALLATION
6. SIZING GUIDE
7. GENERAL OPERATING INSTRUCTIONS
8. MAINTENANCE
9. TROUBLE SHOOTING GUIDE
10. USER INTERFACE

1- BEFORE INSTALLATION

PLEASE READ THESE INSTRUCTIONS THOROUGHLY AND COMPLETELY PRIOR TO INSTALLATION & USE. FAILURE TO FOLLOW INSTRUCTIONS COULD CAUSE PROPERTY DAMAGE, SERIOUS PERSONAL INJURY, OR DEATH.

By installing this product, you acknowledge the terms of the manufacturer's warranty. Once the heater is installed, do not return product to the place of purchase. If you have any questions regarding the warranty or product return policies, please contact Manufacturer's national service department at 1-(800) 374-8806.

Inspect all components. The contents of your box should include one of the following units:

- 8kW
- 11kW
- 13kW
- 18kW
- 24kW
- 27kW
- 36kW

4- PLUMBING INSTALLATION

Please follow all plumbing instructions carefully. We recommend that this product be installed by a licensed and qualified plumber in accordance with all applicable national, state, provincial, and local plumbing codes.

Installation Instructions

STEP 1: Thoroughly flush cold supply line of debris and connect the HOT WATER line to the water heater OUTLET located on the left side of the heater when facing unit. Connect the COLD WATER line to the water heater marked COLD WATER INLET on the right side when facing unit.

STEP 2: After tightening both fittings at the water heater, open several hot water faucets and allow water to run through the water heater for at least 2 to 3 minutes. This process purges all the air from the water lines and MUST be performed prior to turning on the power at the unit. FAILURE TO FOLLOW THIS STEP CAN CAUSE PERMANENT DAMAGE TO THE HEATING ELEMENTS. If any maintenance is performed on the water heater or the home's plumbing system that may introduce air into the plumbing pipes, it is important to turn the power off to the water heater and purge the air out of the lines before allowing the unit to power up.

STEP 3: Carefully inspect all connections, unions, and the pressure relief valve (if installed) for leaks.

IMPORTANT NOTES:

1. Do not solder any pipes with the unit connected to pipes – heat from soldering may damage the flow sensor. Doing so will void the warranty.
2. This automatic tankless water heater is equipped with both computer-controlled and electro-mechanical auto resetting thermostat switches for high-limited temperature protection. Since this product does not use a storage tank, the use of a temperature pressure relief valve (T&P) is not required for most installations. UL Standard 499 does NOT require that a pressure relief valve be used. However, a T&P valve may be required to meet installation codes in your area. If one is required, install the pressure relief valve in accordance with local codes and ensure that it operates correctly and that air is purged from the valve prior to installing the water heater. When connecting to Flex or High Temperature CPVC pipe, we recommend that a T&P valve be used for added safety.
Please note: Installations in the Commonwealth of Massachusetts and State of Kentucky require a pressure relief valve. Please check your local installation codes for any special requirements.
3. The maximum operating water pressure is 150 PSI (1035 kPA). If the water pressure is higher, a pressure reducing valve must be installed on the main incoming water supply line prior to installing the electric tankless water heater.
4. Flexible water heater hoses are recommended to be used with your water heater as part of the installation. When connecting the inlet water pipe to the unit, make sure to use a wrench to hold the unit's connection, and another wrench to tighten, so that the flow sensor on the unit will not be loosened or damaged. Serious internal damage to the water heater can occur if the inlet or outlet connections are over tightened or if solder connections were made.
5. We recommend that a manual shut-off valve (ball valve) is installed on the inlet and outlet of the water heater so that there is a convenient shut-off point available in the event that future maintenance or servicing is required. It is extremely important to flush the lines to eliminate all plumbing paste or residue in the lines caused by any welding or soldering before connecting pipes to the water heater.

We recommend that all the water pipes or hoses within 3' (1m) of the inlet and outlet connections be rated for high temperature applications with a 150°F (66°C) minimum.



WARNING-CHECK FOR LEAKS BEFORE PROCEEDING TO ELECTRICAL INSTALLATION

5- ELECTRICAL INSTALLATION



WARNING Manufacturer recommends that this product be installed by a licensed and qualified electrician in accordance with all applicable national, state, provincial, and local electrical codes. As with all electrical appliances, under no circumstances should you attempt to install, repair or disassemble this water heater without first shutting off all power to the unit directly at the fuse or breaker box. **Make sure to shut off all breakers. SERIOUS BODILY INJURY OR DEATH COULD OCCUR IF YOU IGNORE THIS WARNING.**

All wiring (wire gauge) and circuit protection (breakers) must comply with the U.S. National Electrical Code (NEC) in the USA, or the Canadian Electrical Code (CEC) in Canada. Failure to do so could result in property damage and/or personal injury, and void your warranty. Note: The Canadian Electrical Code generally requires that all supply wires and corresponding circuit protection used for domestic hot water heating and hydronic heating applications be sized to a minimum of 125% of the maximum current rating of the heater (see heater specifications below for details).

Before installing this product, ensure that the home has sufficient electrical power available to handle the maximum amperage load of the applicable heater.

IMPORTANT NOTES:

8kW, 11kW and 13kW heaters require 1 set of wire and ground (**see wiring diagram**)

18kW heater requires 2 sets of wire and ground (**see wiring diagram**)

24kW and 27kW heaters require 3 sets of wire and ground (**see wiring diagram**)

36kW heater requires 4 sets of wire and ground (**see wiring diagram**)

Please see electrical specifications by heater input and wiring diagram on the next page for additional electrical information.

Each set of wires must be connected to its own individual double pole breaker.

Installation Instructions

STEP 1: Take each wire pair and connect them to one breaker (see wiring diagram). Make sure that each breaker is connected with one black wire and one red wire

STEP 2: Using a suitable wire gauge that meets all applicable electrical codes for the size of the breakers used, run the correct sets of wire from the home's main breaker panel to the tankless water heater.

STEP 3: A separate ground conductor for each incoming circuit is required.

STEP 4: DOUBLE CHECK the electrical connections to make sure they are correct and that all wire connections are tight and secure. Also confirm that the correct breaker size and wire gauge has been used and confirm that the unit has been connected to a ground in accordance with applicable codes.

STEP 5: Confirm that all the air has been purged from the water lines prior to turning on power to the unit. Refer to STEP 2 in the plumbing installation section.



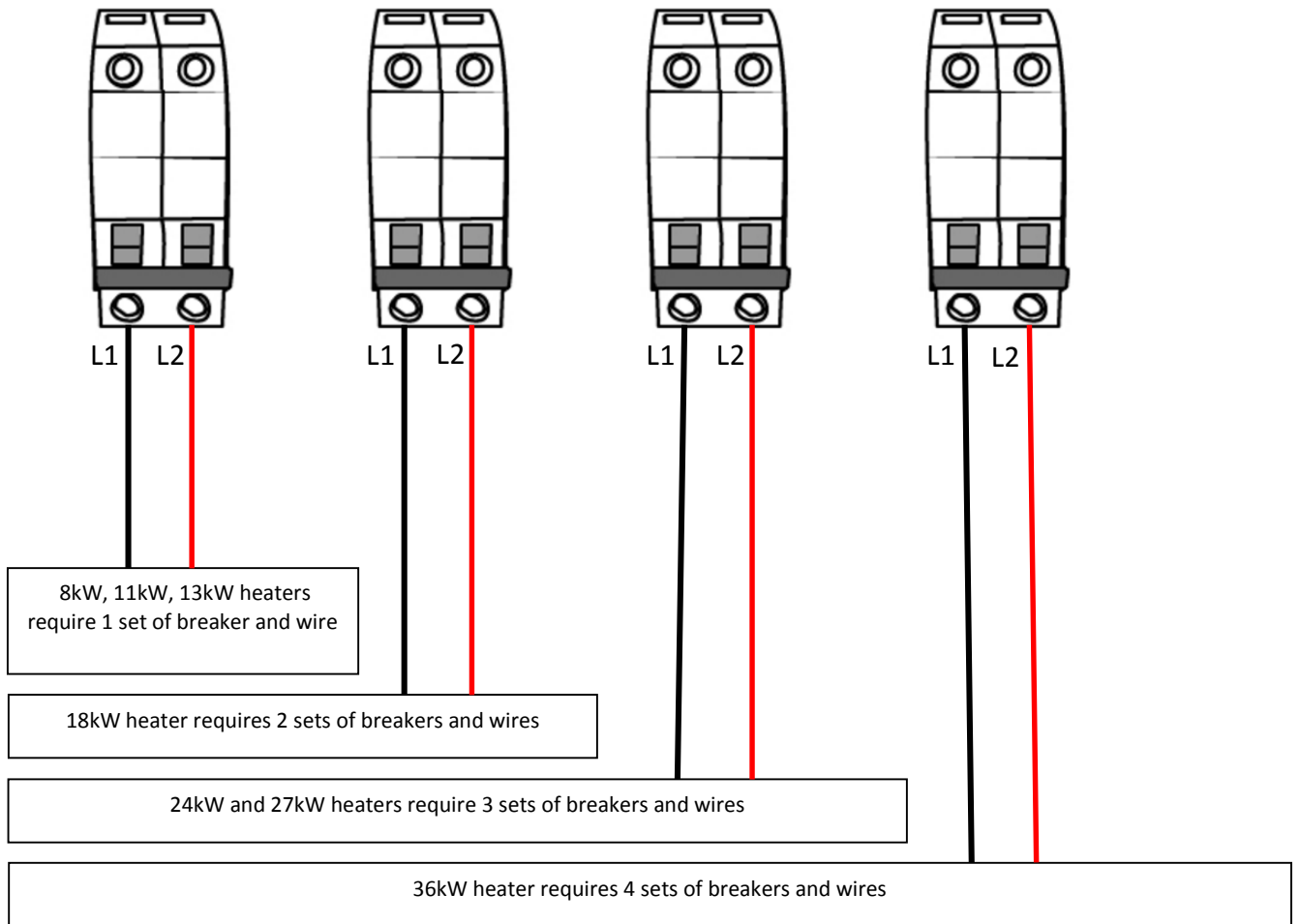
CAUTION Ensure that you have made the correct connections. You must follow the wire connection as shown to ensure proper operation of the unit. If you mix up one set of wires with another, the unit will not operate correctly even though it turns on and otherwise appears to function properly.

The water heater is now installed and ready to use! Follow the General Operating Instructions to complete the setup. We highly recommend that this is done with the homeowner present.

Electrical Specifications by Heater Input

HEATER INPUT	8kW	11kW	13kW	18kW	24kW	27kW	36kW
ELEMENTS	1	2	2	2	3	3	4
VOLTAGE	240 V	240 V	240 V	240 V	240 V	240 V	240 V
MAX kW	8 kW	11 kW	13 kW	18 kW	24 kW	27 kW	36 kW
KW PER ELEMENT	8 kW	5.5 kW	6.5 kW	9 kW	8 kW	9 kW	9 kW
MAX AMPERAGE DRAW	33 AMPS	46 AMPS	54 AMPS	75 AMPS	100 AMPS	112.5 AMPS	150 AMPS
REQUIRED BREAKERS	1 x 40 AMP	1 X 60 AMP	1 X 60 AMP	2 X 40 AMP	3 x 40 AMP	3 X 40 AMP	4 X 40 AMP
REQUIRED WIRE GAUGE	1 x 8 AWG	1 x 6 AWG	1 x 6 AWG	2 X 8 AWG	3 x 8 AWG	3 X 8 AWG	4 X 8 AWG

Wiring Diagram



6- SIZING GUIDE

The chart below indicates maximum temperature rise for a given flow rate

+ Temperature electronically limited setting on adjustable thermostat on front cover

	ACTIVATION	MAX	MAXIMUM TEMPERATURE RISE °F (C°)								
	FLOW	FLOW	1(3.8)	1.5(5.7)	2(7.6)	3(11.4)	4(15.1)	5(18.9)	6(22.7)	7(26.5)	8(30.3)
kW	GPM (LPM)	GPM (LPM)	GPM(LPM)	GPM(LPM)	GPM(LPM)	GPM(LPM)	GPM(LPM)	GPM(LPM)	GPM(LPM)	GPM(LPM)	GPM(LPM)
8	.3(1.1)	5(18.9)	55(31)	36(20)	27(15)	18(10)	14(8)	11(6)	9(5)	8(4)	7(4)
11	.3(1.1)	5(18.9)	77(43)	50(28)	38(21)	25(14)	19(11)	15(8)	13(7)	11(6)	9(5)
13	.3(1.1)	5(18.9)	89(49)	59(33)	44(24)	30(17)	22(12)	18(10)	15(8)	13(7)	11(6)
18	.3(1.1)	7(26.5)	+	82(46)	61(34)	41(23)	31(17)	25(14)	20(11)	18(10)	15(8)
24	.3(1.1)	7(26.5)	+	+	82(46)	55(31)	41(23)	33(18)	27(15)	23(13)	20(11)
27	.3(1.1)	7(26.5)	+	+	92(51)	61(34)	46(26)	37(21)	31(17)	26(14)	23(13)
36	.3(1.1)	8(30.9)	+	+	+	82(46)	61(34)	49(27)	41(23)	35(19)	31(17)

FLOW REGULATOR – OPTIONAL

To ensure the optimal temperature output and overall performance of your tankless water heater you may require a flow regulator. These flow regulators are installed on the outlet connection of your tankless water heater and limit the maximum volume coming out of your unit to a specified flow rate to prevent the exit temperature from becoming too cool. To learn more about flow regulators or find out how to purchase one for your tankless water heater contact Manufacturer's national service department at 1-(800)-374-8806.

Steps for Choosing a Flow Regulator

1. Find your heater input in the chart on the left
2. Choose the column with the inlet water temperature closest to your geographical location
3. Take the GPM or gallons per minute you find and match it with the corresponding flow regulator on the right

	Inlet Water Temperature GPM(LPM)				Part Number	Maximum Flow Rate GPM(LPM)	Connection Size
	40°(4°C)	50°F(10°C)	60°F(16°C)	70°F(21°C)			
8kW	1.0 (3.7)	1.0 (3.7)	1.0 (3.7)	1.5 (5.7)	ECO IFR-1-2	1.0 (3.7)	1/2" Compression
11kW	1.0 (3.7)	1.0 (3.7)	1.5 (5.7)	2.0(7.6)		1.5 (5.7)	1/2" Compression
13kW	1.0 (3.7)	1.0 (3.7)	1.5 (5.7)	2.0(7.6)		2.0(7.6)	1/2" Compression
18kW	2.0(7.6)	2.0(7.6)	2.0(7.6)	3.0(11.4)	ECO IFR-3-4	2.0(7.6)	3/4" NPT
24kW	2.0(7.6)	2.0(7.6)	3.0(11.4)	4.0(15.1)		3.0(11.4)	3/4" NPT
27kW	2.0(7.6)	3.0(11.4)	4.0(15.1)	5.0(18.9)		4.0(15.1)	3/4" NPT
36kW	3.0(11.4)	4.0(15.1)	5.0(18.9)	5.0(18.9)		4.0(15.1)	3/4" NPT

*Selection based on inlet temperature above and outlet temperature of 105°F (41°C)

7- GENERAL OPERATING INSTRUCTIONS

Operating your new tankless water heater is similar to using any traditional water heating system. However, it is very important that you carefully read all of the setup procedures and operating instructions and tips to ensure the maximum performance and energy savings from your new water heater. We recommend that all members of the household read these General Operating Instructions.

How your new water heater works: Your tankless water heater does not store hot water like a conventional tank-type water heater. It contains heating elements that are capable of heating water on-demand. As soon as you turn on a hot water faucet, a sophisticated flow sensor recognizes that you have turned on the water. This sensor measures flow rate while another sensor measures the incoming water temperature. This information is transmitted continually to the computer logic controls which decide how much power to send to the heating elements to heat the water to your desired temperature. Once the water faucet is turned off your water heater will turn off as well.

Water Quality: Quality of water should be taken into consideration when installing and maintaining the water heater. Water conditions outside the recommended levels outlined below are not permitted and can damage the water heater. Manufacture reserves the right to deny any warranty claim regarding damage suffered due to use in water conditions not in accordance with the table below.

If water heater is installed in an area that is known to have hard water that cause scale build-up, the water must be treated and/or the heater exchanger flushed regularly to prevent damage to heat exchanger and/or heating elements.

A water treatment device or water softener should be installed to maintain optimal performance of the water heater in hard water areas. Contact customer service for additional information on these accessory kits.


pH	Total Dissolved Solids (TDS)	Free Carbon Dioxide (CO ₂)	Total Hardness	Aluminum	Chloride	Copper	Iron	Manganese	Zinc
6.5 - 8.5	Up to 500 mg/L	Up to 500 mg/L	Up to 200 mg/L	0.05 to 0.2 mg/L	Up to 250 mg/L	Up to 1.0 mg/L	Up to 0.3 mg/L	Up to 0.05 mg/L	Up to 5 mg/L

8- MAINTENANCE

To ensure maximum performance of your water heater and to reduce the risk of a water leak, we recommend the following maintenance:

Inspect the connections on the inlet and outlet of the water heater at least on an annual basis for any signs of damage or failure. Any signs of damage, cracks, leakage or weakness should be addressed. Take care not to over tighten the connections. Serious internal damage to your water heater can occur if you over tighten the water heater connections at the unit.

IMPORTANT NOTES:

 **DANGER** As with all electrical appliances, under no circumstances should you attempt to install, repair or disassemble this water heater without first shutting off all power to the unit directly at the fuse or circuit breaker. **SERIOUS BODILY INJURY OR DEATH COULD OCCUR IF YOU IGNORE THIS WARNING.**

When any maintenance is performed on the water heater or the home's plumbing system that may introduce air into the plumbing pipes, it is important to turn the power off to the water heater and purge the air out of the lines before allowing the unit to power up. **FAILURE TO DO SO COULD CAUSE PERMANENT DAMAGE TO THE HEATING ELEMENT AND VOID YOUR WARRANTY.**

If you have a water supply with a high level of mineralization (hard water), you should increase the frequency of your maintenance.

9- TROUBLE SHOOTING GUIDE

Are you having problems with your water heater?

Please call or email our customer service and technical support team for any help you may need.

TOLL FREE 1-(800) 374-8806

The following table represents some of the most common technical support questions we receive. Before calling us, please read thoroughly to see if your question or problem is addressed.

PROBLEM	POSSIBLE CAUSE	SOLUTION
Water heater is not heating at all (water is flowing but the unit is not heating - the outgoing water temperature is the same as the cold water supply) - the digital display does NOT light up.	No power or incorrect wiring.	Make sure the breakers at main electrical panel are ON. You may have a faulty breaker or unit may be wired incorrectly.
	Flow rate is too low / water pressure is too low.	Your water heater has an activation flow rate of approximately 0.3 GPM (1.1 LPM). If your water flow rate is less than this level, your unit will not activate. Increase the flow rate.
Water heater is not heating at all (water is flowing but the unit is not heating - the outgoing water temperature is the same as the cold water supply) The digital display DOES light up.	Internal part failure.	Please call us for technical assistance.
Water heater is heating, but the water temperature is not hot enough.	User temperature setting too low.	Turn up the temperature setting on the unit.
	Flow rate is too high.	Depending on your incoming water temperature and the kW of your heater, your water flow rate may exceed the physical heating capacity of your water heater. Reduce the flow rate by installing a Flow Regulator. Use the chart in section 6 to find out which flow regulator works best for your particular heater.
	Crossed wires.	If it's a new installation, have your electrician double check the wiring. Is possible that the wiring is incorrect.
	Voltage less than 240 volts.	The heating elements on your water heater are design for 240 volts. When used with a lower voltage, they produce less heating power. You may need to upgrade to a larger input heater.
	Mixing too much cold water.	You do not need to mix as much cold water with your tankless water heater compared to when you use a conventional water heater. You may also have an anti-scald feature on your faucet that is mixing cold water. These types of faucets can usually be adjusted to reduce the amount of cold water mixed.
The water temperature at the faucet is less or greater than the temperature setting of my water heater.	Voltage less than 240 volts.	The computer chips in your tankless water heater are programmed with the expectation that your incoming line voltage is 240 volts. If you have less than 240 volts, it may affect the reading on your water heater's digital display and cause it to read slightly higher than the actual output temperature. To compensate for this, increase the setting on your water heater if you need / want hotter water.
	Anti-Scald pressure/balancing valve or tempering valve.	Your faucet may have an anti-scald feature or a tempering valve that automatically mixes cold water even when you turn your control lever or handle to full hot. These devices are usually adjustable so you can turn off the cold mix completely. You can compensate for this by increasing the setting on your water heater if you need/want hotter water.
	Thermal loss due to long pipe run	As the hot water from the heater runs through the hot water delivery system to your faucet, some heat will be lost especially if it has long distance to travel or the pipes are cold. This is normal. You can compensate for this by increasing the setting on your water heater if you need/want hotter water.
	Water temperature at the faucet is too hot	Check your flow for too little flow, set point temperature is too high, or internal part failure. Call us for technical assistance.

10- USER INTERFACE

Power

- Click adjustment knob, the display will turn on
- Click the adjustment knob again, the display will turn off

C/F Conversion

- Press the adjustment knob for 3 seconds, the display will change from Fahrenheit to Celsius or vice versa

Temperature Control

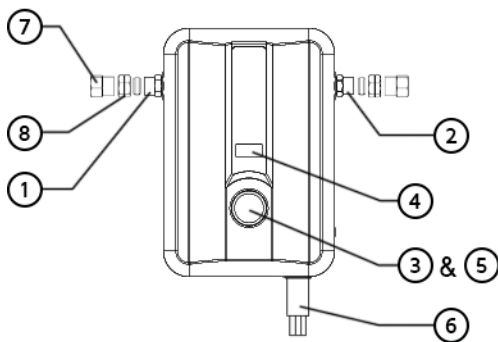
- Turning the knob clockwise increases the set output water temperature
- Turning the knob counter clockwise decreases the set output water temperature
- You can set or adjust the temperature at any time between 80°F – 140°F (27°C – 60°C). The temperature can be changed to your desired setting. The display will only stay on when the unit is in use or when you are setting the temperature.



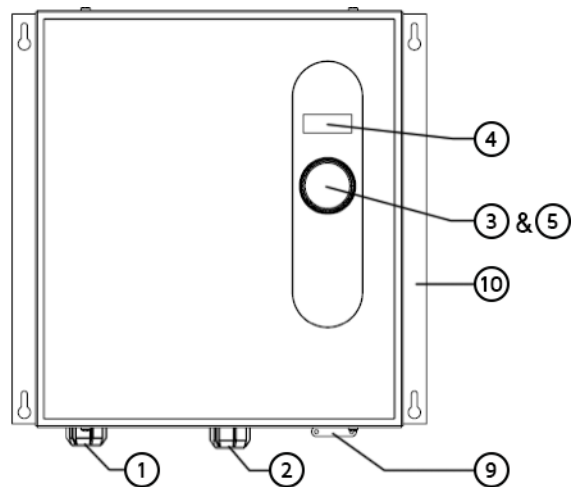
DANGER Hotter water increases the potential for Hot Water SCALDS

CAUTION – removing the cover to change the temperature set point exposes electrical shock and burn hazards, which can cause INJURY or DEATH. Adjustment should only be done by a licensed plumber or electrician.

Heater input: 8kW –11kW –13kW



Heater input: 18kW –24kW –27kW –36kW



1. Hot Water Outlet

2. Cold Water Inlet

3. Celsius/Fahrenheit Conversion (Press & Hold 3 sec.)

4. Temperature Set Point Display

5. Adjustment Knob & Temperature Control

6. Wire Connection

7. Brass Compression Nut

8. Brass Compression Ferrule

9. Electrical Strain Relief

10. Mounting Bracket (1")

Input	Height in(mm)	Width in(mm)	Depth in(mm)
8/11/13kW	12 (292.1)	9.75 (247.7)	3.75 (95.3)
18kW	18 (431.8)	14 (355.6)	3.75 (95.3)
24/27kW	18 (431.8)	17 (431.8)	3.75 (95.3)
36kW	18 (431.8)	19 (482.6)	3.75 (95.3)

Chauffe-eau électrique sans réservoir

INSTRUCTIONS D'INSTALLATION ET GUIDE D'UTILISATION DU PROPRIÉTAIRE

INFORMATIONS IMPORTANTES RELATIVES À LA SÉCURITÉ

Lorsque vous installez ou utilisez un appareil électrique haute tension, des mesures de sécurité de base doivent toujours être respectées. Vous ne devriez en aucun cas essayer de nettoyer, installer, inspecter, réparer, démonter ou entretenir autrement ce chauffe-eau, sans d'abord avoir fermé **complètement** l'alimentation de l'unité à partir du boîtier de disjoncteurs. **DE GRAVES DOMMAGES CORPORELS OU LA MORT PEUVENT SURVENIR SI VOUS IGNOREZ CET AVERTISSEMENT.**

CE PRODUIT DOIT ÊTRE INSTALLÉ PAR UN ÉLECTRICIEN ET UN PLOMBIER QUALIFIÉ CONFORMÉMENT À L'ENSEMBLE DES NORMES DES CODES NATIONAUX, RÉGIONAUX, PROVINCIAUX AINSI QUE LES CODES ÉLECTRIQUES ET DE PLOMBERIE.

VEUILLEZ LIRE CES INSTRUCTIONS AU COMPLET ET EN PROFONDEUR AVANT L'INSTALLATION ET L'UTILISATION. LE FAIT DE NE PAS LIRE CES INSTRUCTIONS POURRAIT PROVOQUER DES DOMMAGES MATÉRIELS, DE GRAVES BLESSURES OU MÊME LA MORT.

Ce manuel devrait être remis au propriétaire de la maison après l'installation et il devrait être conservé pour référence future.

Avertissement de la proposition 65 : Ce produit peut contenir des produits chimiques reconnus par l'état de la Californie comme pouvant provoquer le cancer, les anomalies congénitales ou autres effets nocifs sur la reproduction.



Testé et certifié par l'organisme Water Quality Association pour la conformité aux normes SF/ANSI 372 pour l'absence de plomb.



Identifiez ce symbole comme indication de renseignement de sécurité importante!

NE détruisez PAS ce manuel. Veuillez le lire attentivement et conservez-le dans un endroit sûr pour consultation ultérieure

INFORMATION DE SÉCURITÉ IMPORTANTE.

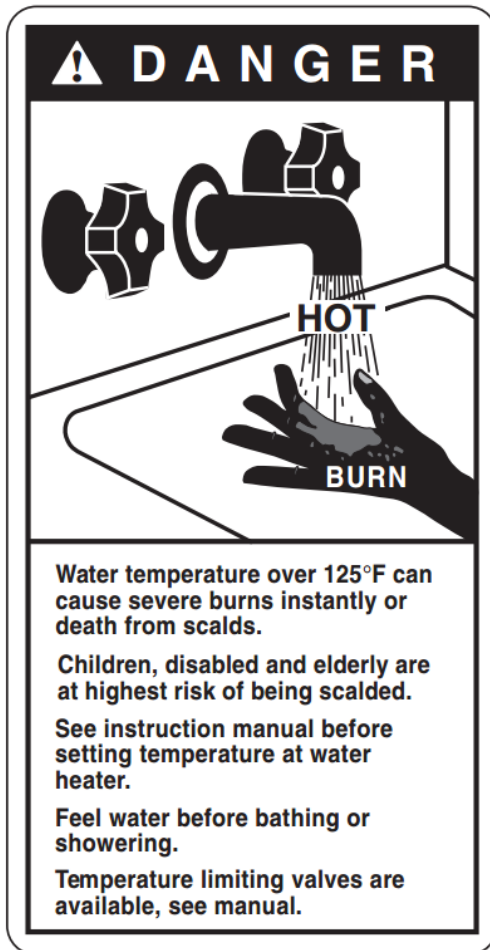
LISEZ TOUTES LES INSTRUCTIONS AVANT D'UTILISER



DANGER!

PRÉCAUTION DE SÉCURITÉ POUR LA TEMPÉRATURE DE L'EAU

La sécurité et l'économie d'énergie sont des facteurs à considérer lors du réglage du thermostat pour la température de l'eau. Une température d'eau à plus de 52°C (125°F) peut provoquer de graves brûlures ou la mort par ébouillantage. Assurez-vous de lire et suivre les avertissements écrits sur l'étiquette illustrée ci-dessous. Cette étiquette est aussi placée sur le chauffe-eau près du panneau d'accès du thermostat.



Avis : Des mitigeurs sont recommandés pour réduire la température au point d'utilisation en mélangeant l'eau chaude et froide dans les embranchements des conduits d'eau. Il est recommandé que les mitigeurs installés soient conformes avec la norme ASSE 1017 pour les mitigeurs thermostatiques des systèmes de distribution de l'eau chaude.

Time/Temperature Relationship in Scalds

Water Temperature	Time to Produce a Serious Burn
120°F (49°C)	More than 5 minutes
125°F (52°C)	1 1/2 to 2 minutes
130°F (54°C)	About 30 seconds
135°F (57°C)	About 10 seconds
140°F (60°C)	Less than 5 seconds
145°F (63°C)	Less than 3 seconds
150°F (66°C)	About 1 1/2 seconds
155°F (68°C)	About 1 second

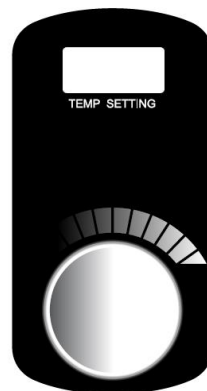
Table courtesy of Shriners Burn Institute

Le tableau ci-dessus peut être utilisé comme guide pour déterminer la température appropriée pour votre maison.



DANGER

Les demeures avec de petits enfants, des handicapés ou des personnes âgées peuvent nécessiter un réglage de thermostat 49 °C (120 °F) ou plus bas pour éviter d'entrer en contact avec de l'eau « CHAUDE ». La température de l'eau dans le chauffe-eau est contrôlée par la commande électronique à l'avant de celui-ci. Pour être conforme avec les règles de sécurité, le thermostat a été réglé à 49 °C (120 °F) avant la livraison du chauffe-eau à partir de l'usine.



Veillez consulter la Section 10 pour en apprendre davantage sur le réglage de la température de votre chauffe-eau. Tournez vers la droite pour augmenter la température (jusqu'à 60 °C [140 °F]) ou tournez vers la gauche pour diminuer la température (aussi bas que 27° C [80 °F]), la température s'affiche sur l'écran par-dessus le bouton.

INFORMATION CONCERNANT LE CHAUFFE-EAU SANS RÉSERVOIR

Félicitations pour l'achat de votre chauffe-eau électrique sans réservoir! Vous avez fait l'acquisition du chauffe-eau électrique sans réservoir le plus avancé technologiquement sur le marché aujourd'hui.

Votre nouveau chauffe-eau électrique sans réservoir présente un débit d'eau et des sondes thermiques avancées conçus pour réguler l'alimentation des éléments chauffants afin de maintenir la température d'eau réglée par l'utilisateur à la sortie entre 27 °C (80 °F) et 60 °C (140 °F) (selon la température de l'eau à l'entrée et la puissance du chauffe-eau choisi).

Afin d'obtenir la meilleure performance et de profiter des meilleures économies d'énergie de votre chauffe-eau électrique sans réservoir, il est important qu'il soit installé conformément à nos instructions et aux codes électriques et de plomberie applicables de votre région, et vous devez lire attentivement ce manuel pour des instructions importantes et des conseils.

Si vous avez des questions, contactez-nous directement en tout temps au :

Service d'assistance national du fabricant

400 Captain Neville Dr. Waterbury, CT 06705 Téléphone : 1 800 374-8806.

TABLE DES MATIÈRES

11. AVANT L'INSTALLATION
12. CHOISIR UN EMPLACEMENT D'INSTALLATION
13. INSTALLATION DE VOTRE CHAUFFE-EAU
14. INSTALLATION DE PLOMBERIE
15. INSTALLATION ÉLECTRIQUE
16. GUIDE DES CAPACITÉS
17. INSTRUCTIONS GÉNÉRALES D'UTILISATION
18. ENTRETIEN
19. GUIDE DE DÉPANNAGE
20. INTERFACE UTILISATEUR

1- AVANT L'INSTALLATION

VEUILLEZ LIRE CES INSTRUCTIONS ATTENTIVEMENT ET COMPLÈTEMENT AVANT L'INSTALLATION ET L'UTILISATION. LE FAIT DE NE PAS SUIVRE CES INSTRUCTIONS POURRAIT PROVOQUER DES DOMMAGES MATÉRIELS, DE GRAVES DOMMAGES CORPORELS OU MÊME LA MORT.

En installant ce produit, vous admettez connaître les conditions stipulées dans la garantie du fabricant. Une fois que le chauffe-eau est installé, ne retournez pas le produit à l'endroit de l'achat. Si vous avez des questions concernant la garantie ou les politiques de retour du produit, veuillez contacter le service d'assistance national du fabricant 1-(800) 374-8806.

Inspectez toutes les composantes. Le contenu de votre boîte devrait inclure l'une des unités suivantes :

- 8 kW
- 11 kW
- 13 kW
- 18 kW
- 24 kW
- 27 kW
- 36 kW

2- CHOISIR UN EMPLACEMENT D'INSTALLATION

Ce produit est conçu pour être installé à **l'intérieur uniquement**.



N'installez PAS ce produit dans un emplacement où il peut être exposé à des températures sous le point de congélation. Si l'eau à l'intérieur de votre chauffe-eau sans réservoir gèle, celle-ci peut provoquer d'importants dommages permanents qui ne sont pas couverts dans le cadre de votre garantie.



Ne placez PAS le chauffe-eau dans un endroit difficile d'accès.

Assurez-vous que le chauffe-eau et le tuyau de sortie d'eau chaude ne sont pas à portée de main des enfants de façon à ce qu'ils ne puissent pas modifier les réglages de températures ou se blesser en touchant le tuyau de sortie d'eau chaude. Le tuyau de sortie d'eau devient très chaud.

Ce produit ne nécessite PAS de ventilation.

Évitez d'installer votre chauffe-eau sans réservoir dans un endroit enclin à l'humidité, la buée ou la poussière ou dans des zones où il peut y avoir des éclaboussures d'eau ou d'autres liquides.

N'installez PAS le chauffe-eau sous des conduits d'eau ou des conduits de climatisation qui peuvent couler ou faire de la condensation qui pourrait dégoutter dans le chauffe-eau. N'installez PAS le chauffe-eau au-



dessus d'une boîte ou d'une jonction électrique.

AVERTISSEMENT Le chauffe-eau ne doit pas être placé dans un endroit où les fuites provoqueront des dommages dans les zones adjacentes ou à un étage inférieur du bâtiment. Aux endroits où de telles zones ne peuvent être évitées, il est recommandé qu'un égouttoir approprié, correctement drainé, soit installé sous le chauffe-eau. Assurez-vous de suivre toutes les exigences du code pour ces installations selon votre région. Nous recommandons que vous installiez un bac d'égouttement (branché à un drain fonctionnel) sous le chauffe-eau afin d'éviter les dommages matériels dans un cas peu probable d'une fuite. Alternativement, vous pouvez installer un détecteur de fuite d'eau et une soupape d'arrêt conçue pour arrêter l'entrée d'eau dans le cas où une fuite d'eau serait détectée.

3- INSTALLATION DE VOTRE CHAUFFE-EAU

Votre chauffe-eau sans réservoir devrait être fixé à la surface d'installation avec 4 vis (longueur minimum de 25,4 mm [1 po]) en utilisant les supports de fixation intégrés de chaque côté du chauffe-eau (chauffe-eau 18 à 36 kW) et avec le modèle d'installation pour les chauffe-eau 8 à 13 kW. Assurez-vous que la surface d'installation est solide et sécuritaire et que l'unité est de niveau avant de serrer les vis. Pour faciliter l'installation et l'entretien, nous recommandons que ce produit soit installé dans une position verticale avec les connexions d'entrée et de sortie d'eau dans le bas de l'unité pour les chauffe-eau de 18, 24, 27 et 36 kW et avec les connexions d'entrée et de sortie d'eau du côté gauche ou droit pour les unités du modèle de chauffe-eau de 8,11 et 13 kW.

Dégagement recommandé : 304,8 mm (12 po) au-dessus et sous le chauffe-eau

152,4 mm (6 po) à l'avant et sur les côtés du chauffe-eau



Les matières combustibles devraient être conservées à au moins 609,6 mm (24 po) de distance du chauffe-eau et des tuyaux d'eau chaude.

4- INSTALLATION DE PLOMBERIE

Suivez soigneusement toutes les instructions de plomberie. Nous recommandons que ce produit soit installé par un plombier qualifié et détenant les cartes de compétence applicables selon les codes nationaux, provinciaux, d'état et régionaux.

Instructions d'installation

ÉTAPE 1 : Rincez complètement le tuyau d'alimentation en eau froide et branchez le tuyau d'EAU CHAUDE au tuyau de SORTIE du chauffe-eau situé du côté gauche du chauffe-eau lorsque vous êtes face à l'unité. Branchez le tuyau d'EAU FROIDE au tuyau d'ENTRÉE D'EAU FROIDE du chauffe-eau situé du côté droit du chauffe-eau lorsque vous êtes face à l'unité.

ÉTAPE 2 : Après avoir serré les deux raccords sur le chauffe-eau, ouvrez plusieurs robinets d'eau chaude et laissez l'eau circuler à travers le chauffe-eau pendant au moins 2 à 3 minutes. Ce processus permet de purger l'air des conduits d'eau et DOIT être effectué avant de mettre en marche l'alimentation sur l'unité. LE FAIT DE NE PAS SUIVRE CETTE ÉTAPE POURRAIT ENDOMMAGER DE MANIÈRE PERMANENTE LES ÉLÉMENTS CHAUFFANTS. Si un entretien est effectué sur le chauffe-eau ou la plomberie de la maison et que cela peut introduire de l'air dans les conduits de plomberie, il est important de couper l'alimentation du chauffe-eau et d'enlever l'air des conduits avant de laisser l'unité se remettre en marche.

ÉTAPE 3 : Inspectez soigneusement tous les raccordements, raccord-union et la soupape de décharge (si celle-ci est installée) pour vérifier la présence de fuites.

REMARQUES IMPORTANTES :

6. Ne soudez pas les conduits lorsque l'unité est reliée à ceux-ci; la chaleur provenant de la soudure peut endommager le capteur de débit. Cela annulerait la garantie.
7. Ce chauffe-eau automatique sans réservoir est équipé d'un thermostat commandé par ordinateur et d'un thermostat interrupteur électromécanique à réinitialisation automatique pour une protection contre les températures élevées. Puisque ce produit n'utilise pas de réservoir de stockage, l'utilisation d'une soupape de décharge et de sécurité thermique (T&P) n'est pas requise dans la plupart des installations. La norme UL 499 NE nécessite PAS l'utilisation d'une soupape de décharge. Cependant, une soupape de décharge peut être nécessaire afin de répondre aux normes du code d'installation de votre région. Si vous devez en installer une, installez la soupape de décharge selon les codes locaux et assurez-vous qu'elle fonctionne correctement et que l'air est purgé de la soupape avant d'installer le chauffe-eau. Lorsque vous branchez les tuyaux CPVC Flex ou haute température, nous recommandons l'utilisation d'une soupape de sûreté pour augmenter la sécurité.

Remarque : Les installations dans le Commonwealth du Massachusetts et dans l'état du Kentucky nécessitent l'installation d'une soupape de décharge. Veuillez vérifier vos codes locaux d'installation pour connaître les exigences spéciales.

8. La pression d'eau maximale de fonctionnement est de 150 PSI (1035 kPa). Si la pression d'eau est plus élevée, un détendeur de pression doit être installé sur l'entrée d'eau principale avant d'installer le chauffe-eau électrique sans réservoir.
9. Nous recommandons l'utilisation de tuyaux à eau flexibles avec votre chauffe-eau lors de l'installation. Lorsque vous raccordez le tuyau d'entrée d'eau à l'unité, assurez-vous d'utiliser une clé à ouverture fixe pour maintenir le raccord de l'unité et une autre clé pour serrer, de manière à ce que le capteur de débit de l'unité ne soit pas desserré ou endommagé. D'importants dommages à l'intérieur du chauffe-eau peuvent se produire si les raccords d'entrée et de sortie sont trop serrés ou si des raccords soudés sont effectués.
10. Nous recommandons d'installer un robinet d'arrêt manuel (un robinet à bille) sur l'entrée et la sortie du chauffe-eau, de manière à ce qu'un point de fermeture accessible soit disponible dans les cas d'entretien ou de service sur garantie. Il est extrêmement important de purger la ligne avant de raccorder les tuyaux au chauffe-eau pour éliminer la pâte ou les résidus présents dans les conduits de

plomberie provoqués par le soudage.

Nous recommandons que tous les conduits ou tuyaux à moins de 1 m (3 pi) des raccords d'entrée ou de sortie soient homologués pour une utilisation à température élevée, au minimum de 66°C (150°F).



AVERTISSEMENT-VÉRIFIEZ S'IL Y A DES FUITES AVANT DE PROCÉDER À L'INSTALLATION ÉLECTRIQUE

5- INSTALLATION ÉLECTRIQUE



AVERTISSEMENT Le fabricant recommande que ce produit soit installé par un électricien qualifié et détenant les cartes de compétence applicables selon les codes électriques nationaux, provinciaux, d'état et régionaux. Comme pour tout appareil électrique, vous ne devriez en aucun cas essayer d'installer, réparer ou désassembler ce chauffe-eau sans avoir fermé complètement l'alimentation de l'unité directement au boîtier de fusibles ou de disjoncteurs. **Assurez-vous de fermer tous les disjoncteurs. DE GRAVES DOMMAGES CORPORELS OU LA MORT PEUVENT SURVENIR SI VOUS IGNOREZ CET AVERTISSEMENT.**

L'ensemble du câblage (calibre du fils) et de la protection de circuit (disjoncteurs) doit être conforme avec le Code d'électricité national aux États-Unis (NEC) ou le Code canadien de l'électricité au Canada. L'incapacité de respecter ces codes pourrait provoquer des dommages matériels et/ou corporels et annuler la garantie.

Remarque : Le code canadien de l'électricité exige généralement que tous les fils et circuits de protection utilisés pour le chauffe-eau domestique et les installations de système de chauffage d'eau possèdent un calibre d'au moins 125 % du courant nominal maximal du chauffe-eau (voir les spécifications du chauffe-eau ci-dessous pour obtenir plus de détail).

Avant d'installer ce produit, assurez-vous que la maison possède un circuit électrique suffisamment puissant pour accueillir l'intensité de courant maximum du chauffe-eau choisi.

REMARQUES IMPORTANTES :

Les chauffe-eau de 8 kW, 11 kW et 13 kW nécessitent 1 ensemble de fils et de mise à la terre (**consultez le schéma de câblage**)

Les chauffe-eau de 18 kW nécessitent 2 ensembles de fils et de mise à la terre (**consultez le schéma de câblage**)

Les chauffe-eau de 24 kW et de 27 kW nécessitent 3 ensembles de fils et de mise à la terre (**consultez le schéma de câblage**)

Le chauffe-eau de 36 kW nécessite 4 ensembles de fils et de mise à la terre (**consultez le schéma de câblage**)

Veillez consulter les spécifications électriques par puissance thermique et le schéma de câblage sur la page suivante pour obtenir de l'information électrique supplémentaire.

Chaque ensemble de fils doit être connecté à son propre disjoncteur bipolaire.

Instructions d'installation

ÉTAPE 1 : Prenez chaque paire de fils et connectez-les à un disjoncteur (consultez le schéma de câblage).

Assurez-vous que chaque disjoncteur est connecté avec un fil blanc et un fil rouge

ÉTAPE 2 : À l'aide d'un fil de calibre approprié qui satisfait à tous les codes électriques en vigueur pour la taille des disjoncteurs utilisés, acheminez la bonne quantité de fil du panneau de disjoncteurs principal de la maison jusqu'au chauffe-eau sans réservoir.

ÉTAPE 3 : Un conducteur de mise à la terre séparé pour chaque circuit d'entrée est requis.

ÉTAPE 4 : FAITES UNE DOUBLE VÉRIFICATION des connexions électriques afin de vous assurer qu'elles sont correctes et que toutes les connexions de fils sont serrées et solides. Assurez-vous que la taille du disjoncteur et le calibre de fil approprié ont été utilisés et confirmez que l'unité a été connectée à une mise à la terre conformément aux codes en vigueur.

ÉTAPE 5 : Assurez-vous que tout l'air a été purgé des conduits d'eau avant de mettre l'unité en marche. Consultez l'ÉTAPE 2 dans la section d'installation de la plomberie.



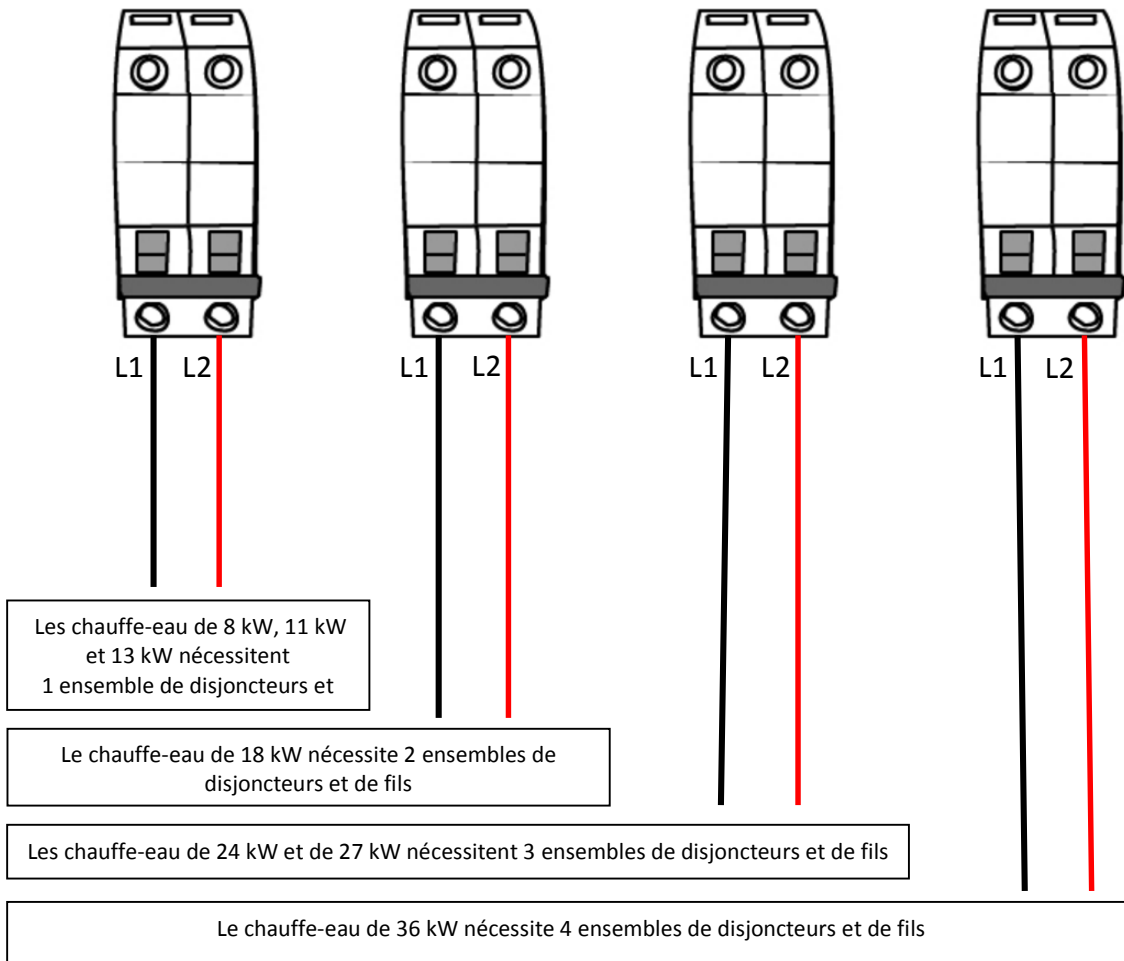
AVERTISSEMENT Assurez-vous que vous avez effectué les connexions correctement. Vous devez respecter le schéma de câblage pour vous assurer du fonctionnement approprié de l'unité. Si vous mélangez un ensemble de fils avec un autre, l'unité pourrait ne pas fonctionner correctement même si vous la mettez en marche et qu'elle devrait fonctionner correctement.

Le chauffe-eau est maintenant installé et prêt à être utilisé! Suivez les instructions générales d'utilisation pour terminer le réglage. Nous recommandons fortement d'effectuer cela en présence du propriétaire.

Spécifications électriques par puissance thermique

PUISANCE THERMIQUE	8 kW	11 kW	13 kW	18 kW	24 kW	27 kW	36 kW
ÉLÉMENTS	1	2	2	2	3	3	4
TENSION	240 V	240 V	240 V	240 V	240 V	240 V	240 V
kW MAX	8 kW	11 kW	13 kW	18 kW	24 kW	27 kW	36 kW
kW PAR ÉLÉMENT	8 kW	5,5 kW	6,5 kW	9 kW	8 kW	9 kW	9 kW
DÉBIT EN AMPÈRE MAX	33 A	46 A	54 A	75 A	100 A	112,5 A	150 A
DISJONCTEURS REQUIS	1 x 40 A	1 x 60 A	1 x 60 A	2 x 40 A	3 x 40 A	3 x 40 A	4 x 40 A
CALIBRE DE FIL REQUIS	1 x 8 AWG	1 x 6 AWG	1 x 6 AWG	2 x 8 AWG	3 x 8 AWG	3 x 8 AWG	4 x 8 AWG

SCHÉMA DE CÂBLAGE



6- GUIDE DES CAPACITÉS

Le tableau ci-dessous indique l'élévation de température maximum pour un débit d'eau donnée

+ La température est limitée par le réglage sur le thermostat ajustable sur le couvercle avant

	ACTIVATION	MAX	MAXIMUM TEMPERATURE RISE °F (C°)								
	FLOW	FLOW	1(3.8)	1.5(5.7)	2(7.6)	3(11.4)	4(15.1)	5(18.9)	6(22.7)	7(26.5)	8(30.3)
kW	GPM (LPM)	GPM (LPM)	GPM(LPM)	GPM(LPM)	GPM(LPM)	GPM(LPM)	GPM(LPM)	GPM(LPM)	GPM(LPM)	GPM(LPM)	GPM(LPM)
8	.3(1.1)	5(18.9)	55(31)	36(20)	27(15)	18(10)	14(8)	11(6)	9(5)	8(4)	7(4)
11	.3(1.1)	5(18.9)	77(43)	50(28)	38(21)	25(14)	19(11)	15(8)	13(7)	11(6)	9(5)
13	.3(1.1)	5(18.9)	89(49)	59(33)	44(24)	30(17)	22(12)	18(10)	15(8)	13(7)	11(6)
18	.3(1.1)	7(26.5)	+	82(46)	61(34)	41(23)	31(17)	25(14)	20(11)	18(10)	15(8)
24	.3(1.1)	7(26.5)	+	+	82(46)	55(31)	41(23)	33(18)	27(15)	23(13)	20(11)
27	.3(1.1)	7(26.5)	+	+	92(51)	61(34)	46(26)	37(21)	31(17)	26(14)	23(13)
36	.3(1.1)	8(30.9)	+	+	+	82(46)	61(34)	49(27)	41(23)	35(19)	31(17)

RÉGULATEUR DE DÉBIT – OPTIONEL

Afin de vous assurer une température de sortie et une performance globale optimale de votre chauffe-eau sans réservoir, il peut être nécessaire d'installer un régulateur de débit. Ces régulateurs de débit sont installés sur le raccord de sortie de votre chauffe-eau sans réservoir et limitent le volume maximum à la sortie de votre unité à un débit spécifique afin d'éviter que la température à la sortie soit trop froide. Pour en apprendre plus au sujet des régulateurs de débit ou pour savoir où acheter l'un de nos chauffe-eau sans réservoir, contactez le service à la clientèle national du fabricant au 1-(800)-374-8806.

Étapes pour choisir un régulateur de débit

4. Trouvez votre chauffe-eau dans le tableau à gauche
5. Sélectionnez la colonne avec la température d'eau d'entrée la plus près de votre emplacement géographique
6. Prenez le nombre de gallons par minute que vous trouvez et trouvez le régulateur de débit correspondant à droite

	Température de l'eau à l'entrée				Numéro de pièce	Débit maximum en GPM (LPM)	Taille du raccord
	40 °F (4 °C)	50 °F (10 °C)	60 °F (16 °C)	70 °F (21 °C)			
8 kW	1.0 (3.7)	1.0 (3.7)	1.0 (3.7)	1.5 (5.7)	ECO IFR-1-2	1.0 (3.7)	Compression de 1,27 cm (1/2 po)
11 kW	1.0 (3.7)	1.0 (3.7)	1.5 (5.7)	2.0(7.6)		1.5 (5.7)	Compression de 1,27 cm (1/2 po)
13 kW	1.0 (3.7)	1.0 (3.7)	1.5 (5.7)	2.0(7.6)		2.0(7.6)	Compression de 1,27 cm (1/2 po)
18 kW	2.0(7.6)	2.0(7.6)	2.0(7.6)	3.0(11.4)	ECO IFR-3-4	2.0(7.6)	NPT de 1,9 cm (3/4 po)
24 kW	2.0(7.6)	2.0(7.6)	3.0(11.4)	4.0(15.1)		3.0(11.4)	NPT de 1,9 cm (3/4 po)
27 kW	2.0(7.6)	3.0(11.4)	4.0(15.1)	5.0(18.9)		4.0(15.1)	NPT de 1,9 cm (3/4 po)
36 kW	3.0(11.4)	4.0(15.1)	5.0(18.9)	5.0(18.9)		4.0(15.1)	NPT de 1,9 cm (3/4 po)

*Sélection basée sur la température d'entrée ci-dessus et la température de sortie à 41 °C (105 °F).

7- INSTRUCTIONS GÉNÉRALES D'UTILISATION

L'utilisation de votre nouveau chauffe-eau sans réservoir est similaire à l'utilisation d'un système de chauffe-eau traditionnel. Cependant, il est très important que vous lisiez soigneusement toutes les procédures de réglage et les instructions d'utilisation ainsi que les conseils afin de profiter d'une performance et d'une économie d'énergie maximum pour votre nouveau chauffe-eau. Nous recommandons que tous les membres du ménage lisent les instructions générales d'utilisation.

Fonctionnement de votre nouveau chauffe-eau : Votre chauffe-eau sans réservoir n'emmagasine pas l'eau chaude comme un chauffe-eau avec réservoir conventionnel. Il contient des éléments chauffants qui sont capables de chauffer l'eau à la demande. Dès que vous ouvrez le robinet d'eau chaude, un capteur de débit sophistiqué détecte l'ouverture du robinet et la circulation d'eau. Ce capteur mesure le débit d'eau pendant qu'un autre capteur mesure la température de l'eau à l'entrée. Cette information est transmise en permanence aux commandes logiques informatisées qui déterminent la puissance à envoyer aux éléments chauffants pour chauffer l'eau à la température désirée. Une fois que le robinet d'eau chaude est fermé, votre chauffe-eau s'arrête automatiquement.

Qualité de l'eau : La qualité de l'eau doit être prise en considération lors de l'installation et de l'entretien du chauffe-eau. Des conditions de qualité de l'eau qui ne répondent pas aux niveaux recommandés ci-dessous ne sont pas permises et peuvent endommager le chauffe-eau. Le fabricant se réserve le droit de rejeter toute réclamation sur garantie à la suite de dommage subi en raison de l'utilisation d'une eau dont la qualité n'est pas conforme avec le tableau ci-dessous.

Si le chauffe-eau est installé dans une région qui est reconnue pour avoir de l'eau dure qui provoque de l'accumulation de dépôt calcaire, l'eau doit être traitée et/ou l'échangeur de chaleur vidé régulièrement pour éviter les dommages à l'échangeur de chaleur et/ou aux éléments chauffants.

Un dispositif de traitement de l'eau ou un adoucisseur d'eau devrait être installé pour conserver une performance optimal de votre chauffe-eau dans les régions où l'eau est dure. Communiquez avec le service à la clientèle pour obtenir de l'information supplémentaire sur ces trousseaux d'accessoires.


pH	Total Dissolved Solids (TDS)	Free Carbon Dioxide (CO ₂)	Total Hardness	Aluminum	Chloride	Copper	Iron	Manganese	Zinc
6.5 - 8.5	Up to 500 mg/L	Up to 500 mg/L	Up to 200 mg/L	0.05 to 0.2 mg/L	Up to 250 mg/L	Up to 1.0 mg/L	Up to 0.3 mg/L	Up to 0.05 mg/L	Up to 5 mg/L

8- ENTRETIEN

Afin d'assurer la performance maximale de votre chauffe-eau et pour réduire les risques de fuite d'eau, nous recommandons les entretiens suivants :

Inspectez les raccords sur l'entrée et la sortie du chauffe-eau au moins une fois par année pour détecter tout signe de dommage ou de mauvais fonctionnement. Tous dommages, fissures, fuites ou faiblesses doivent être réparés. Faites attention de ne pas trop serrer les raccords. D'importants dommages à votre chauffe-eau peuvent se produire si vous serrez trop les raccords qui sont liés à l'unité.

REMARQUES IMPORTANTES :

 **DANGER** Comme avec tous les appareils électriques, vous ne devriez en aucun cas essayer d'installer, réparer ou désassembler ce chauffe-eau sans avoir fermé complètement l'alimentation de l'unité directement au boîtier de fusibles ou de disjoncteurs. **DE GRAVES BLESSURES OU LA MORT PEUVENT SURVENIR SI VOUS IGNOREZ CET AVERTISSEMENT.**

Lorsqu'un entretien est effectué sur le chauffe-eau ou la plomberie de la maison et que cela peut introduire de l'air dans les conduits de plomberie, il est important de couper l'alimentation du chauffe-eau et d'enlever l'air des conduits avant de laisser l'unité se remettre en marche. LE FAIT DE NE PAS EFFECTUER CETTE PROCÉDURE POURRAIT ENDOMMAGER DE MANIÈRE PERMANENTE LES ÉLÉMENTS CHAUFFANTS ET ANNULER LA GARANTIE.

Si votre eau contient une grande quantité de minéraux (eau dure), vous devriez augmenter la fréquence des entretiens.

9- GUIDE DE DÉPANNAGE

Avez-vous des problèmes avec votre chauffe-eau?

Veillez appeler ou envoyer un courriel au service à la clientèle et à l'équipe de soutien technique si vous avez besoin d'aide.

NUMÉRO SANS FRAIS 1-(800) 374-8806

Le tableau suivant affiche certaines des questions techniques les plus communes. Avant de nous contacter, veuillez le lire en entier pour voir si votre question ou problème est traité.

PROBLÈME	CAUSE POSSIBLE	SOLUTION
Le chauffe-eau ne chauffe pas du tout (l'eau circule, mais l'unité ne chauffe pas - la température d'eau à la sortie est la même que la température d'eau à l'entrée) - l'affichage numérique ne s'allume PAS.	Pas d'alimentation ou mauvais câblage.	Vérifiez les disjoncteurs sur le panneau électrique principal pour vous assurer qu'ils sont OUVERTS. Vous pouvez avoir un disjoncteur de défectueux ou l'unité peut être mal branchée.
	Le débit/pression d'eau est trop bas.	Votre chauffe-eau a un débit d'eau d'activation d'environ 0,3 GPM (1,1 LPM). Si votre débit d'eau est inférieur à ce niveau, votre unité ne s'activera pas. Augmentez le débit d'eau.
Le chauffe-eau ne chauffe pas du tout (l'eau circule, mais l'unité ne chauffe pas - la température d'eau à la sortie est la même que la température d'eau à l'entrée) - l'affichage numérique	Mauvais fonctionnement des pièces internes.	Veillez nous contacter pour l'assistance technique.
Le chauffe-eau chauffe, mais la température de l'eau n'est pas assez élevée.	Le réglage de température est trop bas.	Augmentez le réglage de température sur l'unité.
	Le débit est trop élevé.	Selon la température de votre eau à l'entrée et la puissance de sortie de votre chauffe-eau, votre débit d'eau peut dépasser la capacité de chauffage physique de votre chauffe-eau. Réduisez le débit en installant un régulateur de débit. Utilisez le tableau dans la Section 6 pour déterminer lesquels des régulateurs de débit fonctionnent le mieux selon votre chauffe-eau.
	Fils croisés.	S'il s'agit d'une nouvelle installation, faites vérifier votre câblage à nouveau par un électricien. Il est possible que le câblage soit incorrect.
	La tension est inférieure à 240 volts.	Les éléments chauffants sur votre chauffe-eau sont conçus pour une tension à 240 volts. Lorsque vous utilisez une tension plus basse, ils produisent moins de puissance calorifique. Vous devriez peut-être changer pour un modèle plus puissant.
	Se mélange avec trop d'eau froide.	Vous n'avez pas à mélanger une aussi grande quantité d'eau froide avec votre chauffe-eau sans réservoir comparé avec l'utilisation d'un chauffe-eau conventionnel. Vous pouvez aussi installer un dispositif mitigeur sur votre robinet qui permet de mélanger l'eau froide. Ces types de robinets peuvent habituellement se régler pour réduire la quantité d'eau froide mélangée.
La température de l'eau au robinet est plus ou moins élevée que le réglage de température sur mon chauffe-eau.	La tension est inférieure à 240 volts.	La puce électronique de votre chauffe-eau sans réservoir est programmée en fonction d'une tension d'entrée de 240 volts. Si vous avez une tension inférieure à 240 volts, cela peut affecter la lecture de l'affichage numérique sur votre chauffe-eau et lui faire afficher une température légèrement plus élevée que la température de sortie réelle. Pour compenser pour cela, augmentez le réglage de température sur votre chauffe-eau si vous voulez de l'eau chaude.
	Robinet mitigeur à équilibrage de la pression ou soupape de mélange.	Votre robinet peut posséder une fonctionnalité de mitigeur ou une soupape de mélange qui mélange automatiquement l'eau froide même lorsque vous placez le levier de commande ou la poignée à la position chaude. Ces dispositifs sont habituellement réglables de manière à ce que vous puissiez arrêter complètement le mélange. Vous pouvez compenser en augmentant le réglage de température sur votre chauffe-eau si vous voulez de l'eau chaude.
	Perte de chaleur en raison de longs tuyaux	Pendant que l'eau provenant du chauffe-eau passe à travers le système de distribution de l'eau vers votre robinet, une certaine quantité de chaleur est perdue, spécialement si la distance entre le chauffe-eau et le robinet est longue. Cela est normal. Vous pouvez compenser en augmentant le réglage de température sur votre chauffe-eau si vous voulez de l'eau chaude.
	La température de l'eau au niveau du robinet est trop chaude	Vérifiez si votre débit d'eau est trop faible, votre valeur de réglage trop élevée ou si une pièce interne est défectueuse. Appelez-nous pour de l'assistance technique

10- INTERFACE UTILISATEUR

Mise sous tension

- Appuyez sur le bouton de réglage, puis l'affichage s'allumera.
- Appuyez sur le bouton de réglage à nouveau et l'affichage s'éteindra.

Conversion C/F

- Appuyez sur le bouton de réglage pendant 3 secondes et l'affichage changera de Fahrenheit à Celsius ou vice versa

Contrôle de la température

- Tournez le bouton dans le sens des aiguilles d'une montre afin d'augmenter la température de sortie
- Tournez le bouton dans le sens contraire aux aiguilles d'une montre afin de diminuer la température de sortie
- Vous pouvez régler ou déterminer la température à n'importe quel moment à des températures de 27 °C – 60 °C (80 °F à 140 °F). La température peut être réglée au niveau désiré. L'affichage restera en marche seulement lorsque l'unité est utilisée ou lorsque vous réglez la température.

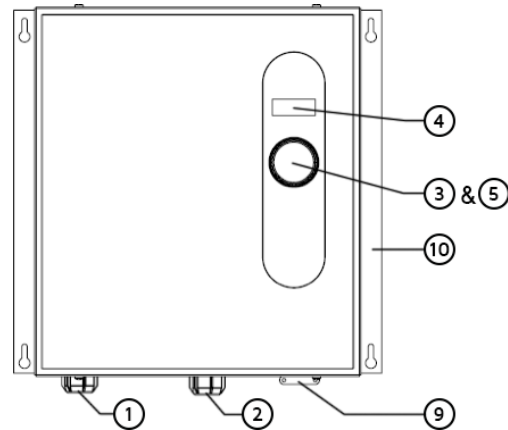
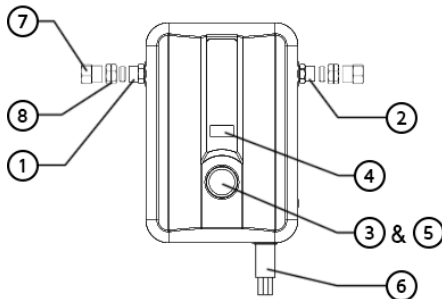


DANGER De l'eau plus chaude augmente le potentiel d'ÉBOUILLANTAGE.

AVERTISSEMENT – En enlevant le couvercle pour changer le réglage de la température, vous risquez de subir des décharges électriques et de provoquer un incendie, qui peut provoquer des BLESSURES OU LA MORT. Le réglage devrait être effectué seulement par un électricien ou un plombier compétent.

**Puissance thermique : 8 kW –11 kW –13 kW
–27 kW –36 kW**

Puissance thermique :18 kW –24 kW



1. Sortie d'eau chaude

2. Entrée d'eau froide

3. Conversion Celsius/Fahrenheit (appuyez et maintenez pendant 3 secondes)

4. Affichage de la température de réglage

5. Bouton de réglage et contrôle de température

6. Fil de raccordement

7. Écrou de compression en laiton

8. Bague de compression en laiton

9. Réducteur de tension

10. Support de fixation 2,54 cm (1 po)

Entrée	Hauteur (mm)	Largeur (mm)	Profondeur (mm)
8/11/13 kW	12 (292,1)	9,75 (247,7)	3,75 (95,3)
18 kW	18 (431,8)	14 (355,6)	3,75 (95,3)
24/27 kW	18 (431,8)	17 (431,8)	3,75 (95,3)
36 kW	18 (431,8)	19 (482,6)	3,75 (95,3)

Calentadores de agua eléctricos sin tanque

INSTRUCCIONES DE INSTALACIÓN Y MANUAL DEL PROPIETARIO

INFORMACIÓN IMPORTANTE SOBRE SEGURIDAD

Cuando se instala o usa un aparato eléctrico de alto voltaje, siempre se deben tener en cuenta precauciones de seguridad básicas. En ningún caso se debe intentar limpiar, instalar, inspeccionar, reparar, desarmar ni reparar de ninguna otra manera este calefón calentador de agua sin apagar primero toda la alimentación de energía a la unidad directamente en la caja de disyuntores. **SI SE IGNORA ESTA ADVERTENCIA SE PUEDEN PRODUCIR LESIONES CORPORALES GRAVES O LA MUERTE.**

ESTE PRODUCTO DEBE SER INSTALADO POR UN ELECTRICISTA CALIFICADO Y UN PLOMERO CALIFICADO DE ACUERDO CON TODOS LOS CÓDIGOS ELÉCTRICOS Y DE PLOMERÍA NACIONALES, ESTATALES, PROVINCIALES Y LOCALES.

POR FAVOR, LEA ESTAS INSTRUCCIONES METICULOSAMENTE Y EN SU TOTALIDAD ANTES DE LA INSTALACIÓN Y EL USO. DE NO HACERLO SE PODRÍAN PRODUCIR DAÑOS MATERIALES, LESIONES GRAVES O LA MUERTE.

Este manual se debe entregar al propietario después de la instalación y se debe conservar para referencia futura.

Advertencia de la Propuesta 65: Este producto contiene una o más sustancias químicas que, conforme al estado de California, producen cáncer, defectos de nacimiento u otros daños reproductivos.



Probado y certificado por la Water Quality Association de conformidad con la norma NSF/ANSI 372 sobre cumplimiento de ausencia de plomo.



¡Reconozca este símbolo como una indicación de información importante de seguridad!

NO destruya este manual. Léalo cuidadosamente y manténgalo en un lugar seguro para referencia futura.

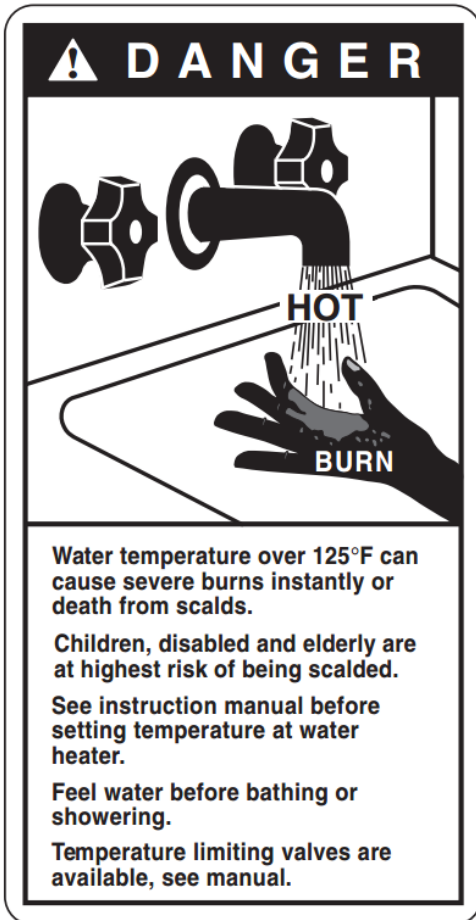
INFORMACIÓN IMPORTANTE SOBRE SEGURIDAD. LEA TODAS LAS INSTRUCCIONES ANTES DEL USO.



¡PELIGRO!

GRADUACIÓN SEGURA DE LA TEMPERATURA DEL AGUA

La seguridad y la conservación de la energía son factores a considerar cuando se selecciona la graduación de temperatura del agua del termostato del calefón calentador de agua. La temperatura del agua por encima de 52 °C (125 °F) puede causar quemaduras graves o la muerte por escaldaduras. Asegúrese de leer y observar las advertencias indicadas en la etiqueta que se ve en la imagen de abajo. Esta etiqueta también se encuentra en el calefón calentador de agua cerca del panel de acceso al termostato.



Aviso: Se recomiendan las válvulas mezcladoras para reducir la temperatura del agua en el punto de uso mezclando agua caliente y fría en las tuberías de derivación. Se recomienda instalar una válvula mezcladora que cumpla con la Norma para Válvulas Mezcladoras Activadas por Temperatura para Sistemas de Distribución de Agua Caliente ASSE 1017.

Time/Temperature Relationship in Scalds

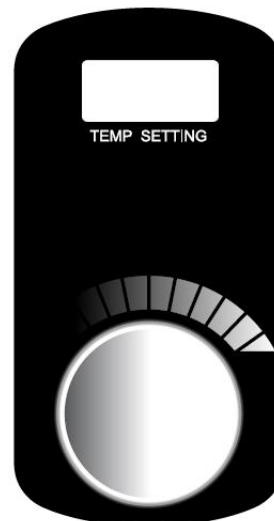
Water Temperature	Time to Produce a Serious Burn
120°F (49°C)	More than 5 minutes
125°F (52°C)	1 1/2 to 2 minutes
130°F (54°C)	About 30 seconds
135°F (57°C)	About 10 seconds
140°F (60°C)	Less than 5 seconds
145°F (63°C)	Less than 3 seconds
150°F (66°C)	About 1 1/2 seconds
155°F (68°C)	About 1 second

Table courtesy of Shriners Burn Institute

El cuadro que aparece arriba se puede usar como guía para determinar la temperatura del agua adecuada para su hogar.



PELIGRO Los hogares donde hay niños pequeños, discapacitados o ancianos pueden necesitar una graduación del termostato de 49 °C (120 °F) o menos para evitar el contacto con agua "CALIENTE". La temperatura del agua del calefón se regula mediante el control electrónico que está en el frente del mismo. Para cumplir con las regulaciones de seguridad, el termostato se graduó en 49 °C (120 °F) antes del embarque del calefón en fábrica.



Por favor, consulte la Sección 10 para más información acerca de la graduación de temperatura de su calefón. Rote hacia la derecha para mayor temperatura (hasta 60 °C [140 °F]) o hacia la izquierda para menos temperatura (hasta 27 °C [80 °F]); aparecerá en la pantalla encima de la perilla.

ACERCA DE SU CALEFÓN SIN TANQUE

¡Felicitaciones por la compra del calefón eléctrico sin tanque! Usted ha comprado el calefón eléctrico sin tanque tecnológicamente más avanzado del mercado actual.

Su nuevo calefón eléctrico sin tanque presenta sensores avanzados de temperatura y velocidad de caudal diseñados para modular energía a los elementos calefactores para mantener la temperatura exacta del agua de salida seleccionada por el usuario entre 27 °C (80 °F) y 60 °C (140 °F) (sujeto a la temperatura del agua de entrada y el suministro de energía del modelo seleccionado).

Para obtener el mejor rendimiento y ahorro energético de su calefón eléctrico sin tanque es importante que se lo instale de acuerdo con nuestras instrucciones y los códigos eléctricos y de plomería aplicables a su área y que lea este manual meticulosamente para comprenderse de las instrucciones operativas y sugerencias importantes.

Si tiene alguna pregunta en cualquier momento, por favor, comuníquese con nosotros directamente en:

Departamento Nacional de Servicio del Fabricante
400 Captain Neville Dr. Waterbury, CT 06705 Teléfono: 1-(800)-374-8806.

CONTENIDO

21. ANTES DE LA INSTALACIÓN
22. SELECCIÓN DEL LUGAR DE INSTALACIÓN
23. MONTAJE DE SU CALEFÓN
24. INSTALACIÓN DE PLOMERÍA
25. INSTALACIÓN ELÉCTRICA
26. GUÍA DE TAMAÑOS
27. INSTRUCCIONES OPERATIVAS GENERALES
28. MANTENIMIENTO
29. GUÍA PARA LA SOLUCIÓN DE PROBLEMAS
30. INTERFAZ DEL USUARIO

1 – ANTES DE LA INSTALACIÓN

POR FAVOR, LEA ESTAS INSTRUCCIONES METICULOSAMENTE Y EN SU TOTALIDAD ANTES DE LA INSTALACIÓN Y EL USO. SI NO SE RESPETAN LAS INSTRUCCIONES SE PODRÍAN PRODUCIR DAÑOS MATERIALES, LESIONES PERSONALES GRAVES O LA MUERTE.


Al instalar este producto usted reconoce los términos de la garantía del fabricante. Después de instalado el calefón no devuelva el producto al lugar de compra. Si tiene alguna pregunta sobre la garantía o las políticas de devolución del producto, por favor, comuníquese con el departamento nacional de servicio del fabricante llamando al 1-(800) 374-8806.


Inspeccione todos los componentes. El contenido de la caja debe incluir una de las siguientes unidades:

- 8 kW
- 11 kW
- 13 kW
- 18 kW
- 24 kW
- 27 kW
- 36 kW

2 - SELECCIÓN DEL LUGAR DE INSTALACIÓN

Este producto únicamente se puede instalar en interiores.


 **NO** instale este producto en un lugar donde pueda estar sujeto a temperaturas de congelación. Si el agua que está dentro de su calefón sin tanque se congela puede causar daños graves y permanentes que no son cubiertos por la garantía.

 **NO** coloque el calefón en un lugar de difícil acceso.

Asegúrese de que el calefón y el caño de salida del agua caliente no estén al alcance de los niños, de manera que no estén en condiciones de alterar los controles de temperatura ni de lesionarse al tocar la cañería de salida del agua caliente. La cañería del agua de salida puede estar muy caliente.

Este producto **NO** necesita ventilación.

Evite instalar su calefón sin tanque en un lugar propenso a la humedad excesiva o el polvo o en un área donde pueda ser salpicado con agua u otros líquidos. **NO** lo instale debajo de cañerías de agua o aire acondicionado que puedan tener pérdidas o condensar humedad que pudieran luego gotear dentro del calefón. **NO** lo instale encima de tableros o cajas de empalme eléctricos.


 **PRECAUCIÓN:** El calefón no se debe ubicar en un área donde un derrame provoque daños al área adyacente o los pisos inferiores de la estructura. Si no se pueden evitar esas áreas, se recomienda instalar una bandeja de goteo adecuada, con buen drenaje, debajo del calefón. Asegúrese de seguir todos los requisitos del código para tales instalaciones, según los requisitos para su área. Recomendamos que instale una bandeja de goteo (conectada a un drenaje de seguridad) debajo del calefón para evitar daños en la propiedad en el caso poco probable de que se produzca una fuga. De manera alternativa, puede instalar un detector de fugas de agua activo y cerrar la válvula diseñada para interrumpir el suministro de agua del hogar en caso de que alguna vez se detecte una fuga.

3 - MONTAJE DE SU CALEFÓN

Su calefón sin tanque se debe sujetar a la superficie de montaje con 4 tornillos (1 in [2,54 cm] de largo como mínimo) usando las ménsulas de montaje incorporadas a cada lado del calefón (en calefones de 18 a 36 kW), y se debe seguir la plantilla para calefones de 8 a 13kW. Asegúrese de que la superficie de montaje sea sólida y firme y que la unidad quede nivelada antes de sujetar los tornillos. Para facilitar la instalación y el mantenimiento, recomendamos que este producto se instale en posición vertical, con las conexiones de agua de entrada y salida en la parte inferior de la unidad en el caso de los calefones de 18, 24, 27 y 36 kW y con las conexiones de agua de entrada y salida en los lados izquierdo y derecho en el caso de las unidades de 8, 11 y 13 kW.

Separaciones recomendadas: 30,4 cm (12 in) por encima y por debajo del calentador

15,2 cm (6 in) delante y a los costados del calefón

 **Los materiales combustibles se deben mantener a 61 cm (24 in) de distancia del calefón y del caño de salida de agua caliente.**

4 – INSTALACIÓN DE PLOMERÍA

Por favor, siga todas las instrucciones de plomería con atención. Recomendamos que este producto sea instalado por un plomero matriculado y calificado de conformidad con todos los códigos de plomería nacionales, estatales, provinciales y locales aplicables.

Instrucciones de instalación

PASO 1: Enjuague completamente la cañería de suministro de agua fría para eliminar la suciedad y conecte la cañería de AGUA CALIENTE con la SALIDA del calefón ubicada del lado izquierdo mirando la unidad de frente. Conecte la cañería de AGUA FRÍA con la ENTRADA DE AGUA FRÍA marcada del calefón ubicada del lado derecho mirando la unidad de frente.

PASO 2: Después de apretar las dos uniones del calefón, abra varios grifos de agua caliente y deje correr el agua a través del calefón durante al menos 2 o 3 minutos. Este proceso purga todo el aire de las cañerías y SE DEBE realizar antes de encender la alimentación eléctrica de la unidad. SI NO SE REALIZA ESTE PASO SE PUEDEN PRODUCIR DAÑOS PERMANENTES EN LOS ELEMENTOS CALEFACTORES. Si se realiza alguna tarea de mantenimiento del calefón o del sistema de cañerías del hogar que pudiera introducir aire en las cañerías es importante apagar el suministro eléctrico del calefón y purgar el aire de las cañerías antes de encender la unidad.

PASO 3: Inspeccione con atención todas las conexiones, uniones y la válvula de alivio de presión (en caso de haber) para detectar cualquier pérdida.

AVISOS IMPORTANTES:

11. No suelde ningún caño con la unidad conectada a la cañería; el calor de soldadura puede dañar el sensor de caudal. Si lo hace se anulará la garantía.
12. Este calefón automático sin tanque está equipado con interruptores de termostato de restauración automática electromecánicos y controlados por computadora para protección contra alta temperatura por limitación. Como este producto no usa un tanque de almacenamiento en la mayoría de las instalaciones no se necesita una válvula de alivio de presión y temperatura (T&P). La norma UL 499 NO exige el uso de una válvula de alivio de presión. Sin embargo, tal vez sea necesario instalar una válvula T&P para cumplir con los códigos de su área. Si es así, instale la válvula de alivio de presión de acuerdo con los códigos locales y asegúrese de que funcione correctamente y que el aire se purgue de la válvula antes de instalar el calefón. Al conectar con un tubo CPVC flexible o de alta temperatura recomendamos usar una válvula T&P para mayor seguridad.
Por favor, tenga en cuenta lo siguiente: Las instalaciones realizadas en el estado de Massachusetts y en el estado de Kentucky exigen válvula de alivio de presión. Por favor, consulte los códigos de instalación locales para ver los requisitos especiales.
13. La presión de agua operativa máxima es 150 psi (1035 kPA). Si la presión de agua es superior, se debe instalar una válvula reductora de presión en la tubería de suministro de agua de entrada principal antes de instalar el calefón eléctrico sin tanque.
14. Se recomienda el uso de mangueras flexibles para calefón como parte de la instalación. Al conectar el caño de agua de entrada a la unidad asegúrese de usar una llave para sujetar la conexión de la unidad y otra llave para ajustar, de manera que el sensor de caudal de la unidad no se suelte ni dañe. Se pueden producir daños internos graves en el calefón si las conexiones de entrada o salida se aprietan en exceso o si se realizan conexiones de soldadura.
15. Recomendamos instalar una válvula de cierre manual (válvula esférica) en la entrada y salida del calefón de manera que haya un punto de cierre conveniente disponible en caso de ser necesario realizar alguna tarea de mantenimiento o reparación en el futuro. Es sumamente importante lavar las cañerías con chorro de agua para eliminar cualquier pasta o residuo de plomería de las mismas que pudiera ser causado por soldadura antes de conectar los caños al calefón.

Recomendamos que todas las cañerías o mangueras de agua que se encuentren dentro de 1m (3 ft) de distancia de las conexiones de entrada y salida tengan capacidad nominal para aplicaciones de alta temperatura con un valor mínimo de 66 °C (150 °F).



ADVERTENCIA: COMPRUEBE QUE NO HAYA FUGAS ANTES DE PROCEDER CON LA INSTALACIÓN ELÉCTRICA.

5 – INSTALACIÓN ELÉCTRICA



ADVERTENCIA El fabricante recomienda que este producto sea instalado por un electricista matriculado y calificado de conformidad con todos los códigos de electricidad nacionales, estatales, provinciales y locales aplicables. Como sucede con todos los aparatos eléctricos, en ningún caso debe intentar instalar, reparar ni desarmar este calefón sin antes desconectar todo el suministro eléctrico de la unidad directamente en la caja de fusibles o disyuntor.

Asegúrese de desconectar todos los disyuntores. SI SE IGNORA ESTA ADVERTENCIA SE PUEDEN PRODUCIR LESIONES CORPORALES GRAVES O LA MUERTE.

Todo el cableado (calibre del cable) y la protección de circuitos (disyuntores) deben cumplir con el Código Eléctrico Nacional en EE.UU. (NEC) o el Código Eléctrico Canadiense de Canadá (CEC). De lo contrario se pueden producir daños materiales y/o lesiones personales y se anula la garantía. Nota: El Código Eléctrico Canadiense generalmente exige que todos los cables de suministro y la protección de circuitos correspondiente utilizados para la calefacción doméstica por agua caliente y las aplicaciones de calefacción hidráulica sean de una medida como mínimo igual al 125 % de la capacidad nominal máxima del calefón (vea las especificaciones del modelo más abajo).

Antes de instalar este producto, asegúrese de que el hogar tenga suficiente energía eléctrica disponible para manejar la carga de amperaje máxima del calefón aplicable.

AVISOS IMPORTANTES:

Los calefones de 8 kW, 11 kW y 13 kW requieren 1 juego de cable y tierra **(vea el diagrama de cableado)**

El calefón de 18 kW requiere 2 juegos de cable y conexión a tierra **(vea el diagrama de cableado)**

Los calefones de 24 y 27 kW requieren 3 juegos de cable y conexión a tierra **(vea el diagrama de cableado)**

El calefón de 36 kW requiere 4 juegos de cable y conexión a tierra **(vea el diagrama de cableado)**

Por favor, vea las especificaciones eléctricas por calefón y diagrama de cableado en la página siguiente para consultar información eléctrica adicional.

Cada juego de cables se debe conectar con su propio disyuntor de doble polo individual.

Instrucciones de instalación

PASO 1: Tome cada par de cables y conéctelo con un disyuntor (vea el diagrama de cableado). Asegúrese de que cada disyuntor se conecte con un cable negro y un cable rojo

PASO 2: Con un calibre de cable adecuado que cumpla con todos los códigos eléctricos aplicables para el tamaño de disyuntores utilizados, tienda los juegos correctos de cable desde el tablero del disyuntor principal de su hogar hasta el calefón sin tanque.

PASO 3: Se necesita un conductor de tierra separado para cada circuito de entrada.

PASO 4: VUELVA A COMPROBAR las conexiones eléctricas para asegurarse de que sean correctas y que todas las conexiones de cables estén firmes y sujetas. También confirme que se haya utilizado el tamaño de disyuntor y el calibre de cable correctos y que la unidad se haya conectado a tierra de acuerdo con los códigos aplicables.

PASO 5: Confirme que se haya purgado todo el aire de las cañerías de agua antes de encender el suministro eléctrico de la unidad. Consulte el PASO 2 de la sección instalación de plomería.

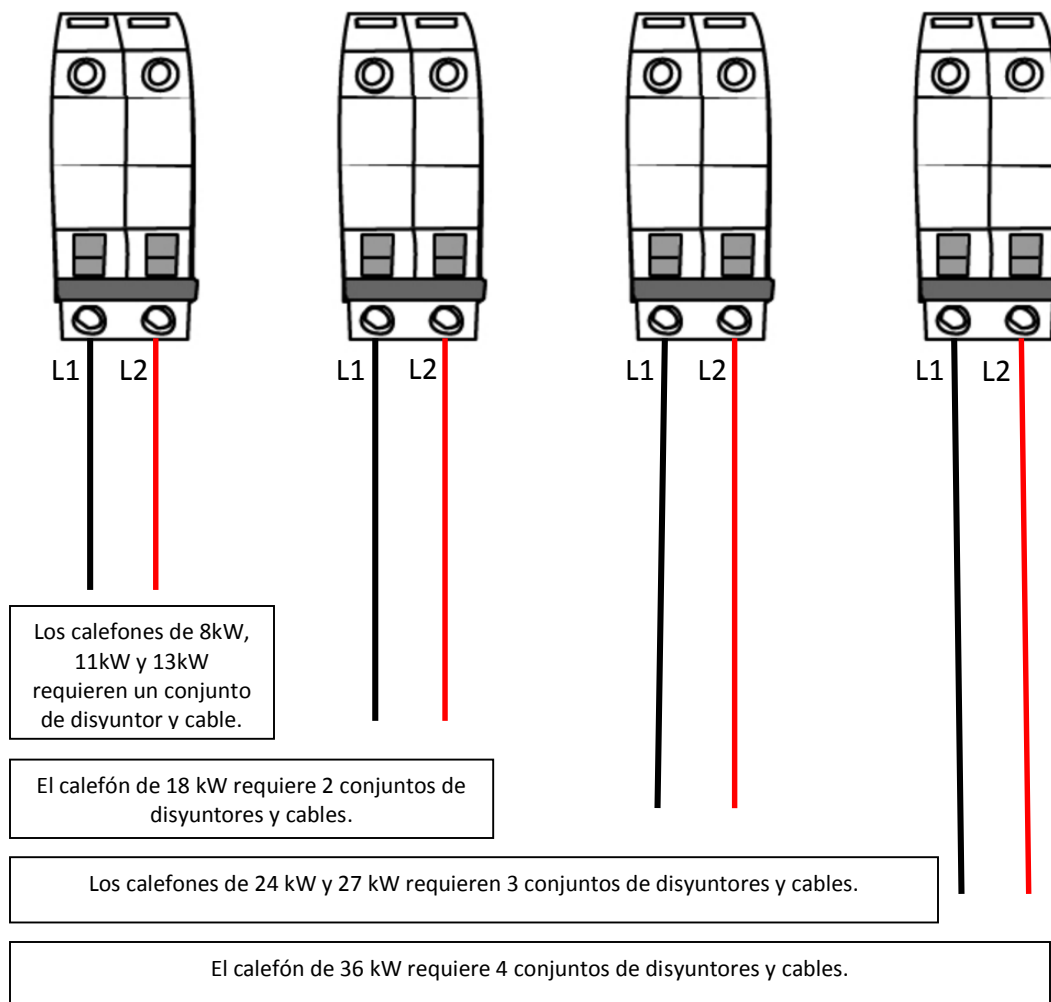


PRECAUCIÓN Asegúrese de haber hecho las conexiones correctas. Debe seguir la conexión de cables tal como se muestra para asegurar el funcionamiento adecuado de la unidad. Si mezcla un juego de cables con otro la unidad no funcionará correctamente aun cuando se encienda y parezca funcionar correctamente. ¡El calefón ya está instalado y listo para el uso! Siga las Instrucciones operativas generales para completar la instalación. Recomendamos enfáticamente que esto se realice en presencia del propietario.

Especificaciones eléctricas por entrada de calefón

ENTRADA DE CALEFÓN	8 kW	11 kW	13 kW	18 kW	24 kW	27 kW	36 kW
ELEMENTOS	1	2	2	2	3	3	4
VOLTAJE	240 V	240 V	240 V	240 V	240 V	240 V	240 V
MÁX kW	8 kW	11 kW	13 kW	18 kW	24 kW	27 kW	36 kW
KW POR ELEMENTO	8 kW	5,5 kW	6,5 kW	9 kW	8 kW	9 kW	9 kW
AMPERAJE MÁXIMO	33 AMP	46 AMP	54 AMP	75 AMP	100 AMP	112,5 AMP	150 AMP
DISYUNTORES REQUERIDOS	1 x 40 AMP	1 x 60 AMP	1 x 60 AMP	2 x 40 AMP	3 x 40 AMP	3 x 40 AMP	4 x 40 AMP
CALIBRE DE CABLE REQUERIDO	1 x 8 AWG	1 x 6 AWG	1 x 6 AWG	2 x 8 AWG	3 x 8 AWG	3 x 8 AWG	4 x 8 AWG

Diagrama de cableado



6 – GUÍA DE TAMAÑOS

El cuadro de abajo indica el máximo aumento de temperatura para una velocidad de caudal dada.

+ Ajuste de temperatura limitada electrónicamente en el termostato ajustable en la cubierta delantera.

	ACTIVATION	MAX	MAXIMUM TEMPERATURE RISE °F (C°)								
	FLOW	FLOW	1(3.8)	1.5(5.7)	2(7.6)	3(11.4)	4(15.1)	5(18.9)	6(22.7)	7(26.5)	8(30.3)
kW	GPM (LPM)	GPM (LPM)	GPM(LPM)	GPM(LPM)	GPM(LPM)	GPM(LPM)	GPM(LPM)	GPM(LPM)	GPM(LPM)	GPM(LPM)	GPM(LPM)
8	.3(1.1)	5(18.9)	55(31)	36(20)	27(15)	18(10)	14(8)	11(6)	9(5)	8(4)	7(4)
11	.3(1.1)	5(18.9)	77(43)	50(28)	38(21)	25(14)	19(11)	15(8)	13(7)	11(6)	9(5)
13	.3(1.1)	5(18.9)	89(49)	59(33)	44(24)	30(17)	22(12)	18(10)	15(8)	13(7)	11(6)
18	.3(1.1)	7(26.5)	+	82(46)	61(34)	41(23)	31(17)	25(14)	20(11)	18(10)	15(8)
24	.3(1.1)	7(26.5)	+	+	82(46)	55(31)	41(23)	33(18)	27(15)	23(13)	20(11)
27	.3(1.1)	7(26.5)	+	+	92(51)	61(34)	46(26)	37(21)	31(17)	26(14)	23(13)
36	.3(1.1)	8(30.9)	+	+	+	82(46)	61(34)	49(27)	41(23)	35(19)	31(17)

REGULADOR DE CAUDAL - OPCIONAL

Para asegurar una salida de temperatura y un rendimiento general óptimos de su calefón sin tanque tal vez necesite un regulador de caudal. Estos reguladores de caudal se instalan en la conexión de salida de su calefón sin tanque y limitan el volumen máximo que sale de su unidad a una velocidad de caudal especificada para evitar que la temperatura de salida se vuelva demasiado fresca. Para más información sobre reguladores de caudal o para averiguar cómo comprar uno para su calefón sin tanque, póngase en contacto con Departamento Nacional de Servicio del Fabricante llamando al 1-(800)-374-8806.

Pasos para elegir un regulador de caudal

- Encuentre la entrada de su calefón en el cuadro del lado izquierdo. Elija la columna con la temperatura de agua de entrada más cercana a su ubicación geográfica
- Tome el valor de GPM – galones por minuto – que encuentre y combine el mismo con el regulador de caudal correspondiente del lado derecho

Temperatura del agua de entrada

	Temperatura del agua de entrada				Número de pieza	Velocidad de caudal máxima	Tamaño de conexión
	4 °C (40 °F)	10 °C (50 °F)	16 °C (60 °F)	21 °C (70 °F)			
8 kW	1,0 (0,26)	1,0 (0,26)	1,0 (0,26)	1,5 (0,39)	ECO IFR- 1-2	1,0 (,26)	Compresión ½"
11 kW	1,0 (0,26)	1,0 (0,26)	1,5 (0,39)	2,0 (0,52)		1,5 (0,39)	Compresión ½"
13 kW	1,0 (0,26)	1,0 (0,26)	1,5 (0,39)	2,0 (0,52)		2,0 (0,52)	Compresión ½"
18 kW	2,0 (0,52)	2,0 (0,52)	2,0 (0,52)	3,0 (0,79)	ECO IFR -3-4	2,0 GPM(0,52)	3/4" NPT
24kW	2,0 (0,52)	2,0 (0,52)	3,0 (0,79)	4,0 (1,05)		3,0 GPM(0,79)	3/4" NPT
27 kW	2,0 (0,52)	3,0 (0,79)	4,0 (1,05)	5,0 (1,32)		4,0 GPM (1,05)	3/4" NPT
36 kW	3,0 (0,79)	4,0 (1,05)	5,0 (1,32)	5,0 (1,32)		4,0 (1,05)	3/4" NPT

*Selección basada en la temperatura de entrada de arriba y la temperatura de salida de 41 °C (105 °F)

7 - INSTRUCCIONES OPERATIVAS GENERALES

El funcionamiento de su calefón sin tanque es similar al de cualquier sistema tradicional de calefacción por agua. Sin embargo, es muy importante que lea con atención todos los procedimientos de instalación y las instrucciones operativas y sugerencias para asegurar el rendimiento máximo y ahorro de energía con su nuevo calefón de agua. Recomendamos que todos los integrantes del hogar lean estas Instrucciones operativas generales.

Cómo funciona su nuevo calefón: Su calefón sin tanque no almacena agua caliente como un termotanque convencional. Contiene elementos de calefacción que son capaces de calentar el agua a demanda. Apenas abre un grifo de agua caliente, un sofisticado sensor de caudal reconoce que usted ha abierto el agua. Este sensor mide la velocidad de caudal mientras otro sensor mide la temperatura del agua de entrada. Esta información se transmite continuamente a los controles lógicos computarizados que deciden cuánta energía se debe enviar a los elementos de calefacción para calentar el agua a la temperatura que usted desea. Apenas se cierra el grifo también se apaga el calefón.

Calidad del agua: La calidad del agua se debe tomar en cuenta a la hora de instalar y mantener el calefón. Las condiciones del agua fuera de los niveles recomendados detallados abajo no están permitidas y pueden dañar el calefón. El fabricante se reserva el derecho de negar cualquier reclamación de garantía relacionada con daños ocasionados por el uso de agua cuyas condiciones no están dentro de los niveles contemplados en la tabla de abajo. Si el calefón se instala en un área de aguas duras que pueden producir acumulación de sarro, el agua se debe tratar o se debe enjuagar el calefón regularmente para evitar daños en este y/o en sus componentes calefactores. Se debe instalar un dispositivo de tratamiento de agua o un descalcificador para mantener el óptimo rendimiento del calefón en áreas con aguas duras. Póngase en contacto con el equipo de atención al cliente para obtener información adicional sobre estos juegos de accesorios.


pH	Total Dissolved Solids (TDS)	Free Carbon Dioxide (CO2)	Total Hardness	Aluminum	Chloride	Copper	Iron	Manganese	Zinc
6.5 - 8.5	Up to 500 mg/L	Up to 500 mg/L	Up to 200 mg/L	0.05 to 0.2 mg/L	Up to 250 mg/L	Up to 1.0 mg/L	Up to 0.3 mg/L	Up to 0.05 mg/L	Up to 5 mg/L

8 - MANTENIMIENTO

Para asegurar el máximo rendimiento de su calefón y para reducir el riesgo de pérdida de agua, recomendamos el siguiente mantenimiento:

Inspeccione las conexiones en la entrada y salida del calefón al menos de forma anual para verificar cualquier indicio de daño o falla. Se debe resolver cualquier señal de daño, grietas, pérdida o debilidad. Preste atención para no apretar demasiado las conexiones. Si se aprietan en exceso las conexiones del calefón se pueden producir daños internos graves en la unidad.

AVISOS IMPORTANTES:

 **PELIGRO** Como sucede con todos los aparatos eléctricos, en ningún caso debe intentar instalar, reparar ni desarmar este calefón sin antes desconectar todo el suministro eléctrico de la unidad directamente en la caja de fusibles o en el disyuntor. **SI SE IGNORA ESTA ADVERTENCIA SE PUEDEN PRODUCIR LESIONES CORPORALES GRAVES O LA MUERTE.**

Cuando se realiza alguna tarea de mantenimiento del calefón o del sistema de cañerías del hogar que pudiera introducir aire en las cañerías es importante apagar el suministro eléctrico del calefón y purgar el aire de las cañerías antes de encender la unidad. **DE NO HACERLO SE PUEDEN PRODUCIR DAÑOS PERMANENTES DEL ELEMENTO CALEFACTOR Y SE ANULA LA GARANTÍA.**

Si tiene un suministro de agua con un alto nivel de mineralización (agua dura), debe aumentar la frecuencia del mantenimiento.

9 - GUÍA PARA LA SOLUCIÓN DE PROBLEMAS

¿Está teniendo problemas con su calefón?

Por favor, llámenos o envíe un mensaje de correo electrónico a nuestro equipo de atención al cliente y servicio técnico para solicitar cualquier ayuda que necesite.

TELÉFONO PARA LLAMADAS GRATUITAS 1-(800) 374-8806

La siguiente tabla representa algunas de las preguntas de apoyo técnico más comunes que recibimos. Antes de llamarnos, por favor, léalas a fondo para ver si se refieren a su pregunta o problema.

PROBLEMA	CAUSA POSIBLE	SOLUCIÓN
El calefón no calienta nada (el agua corre pero la unidad no está calentando – la temperatura del agua que sale es igual que la del suministro de agua fría) – la pantalla digital NO se ilumina.	No hay suministro eléctrico o el cableado es incorrecto.	Asegúrese de que los disyuntores del tablero eléctrico principal estén ENCENDIDOS. Puede tratarse de un defecto en el disyuntor o que el cableado de la unidad sea incorrecto.
	La velocidad del caudal es demasiado baja/la presión del agua es demasiado baja.	Su calefón tiene una velocidad de caudal de activación de aproximadamente 1,1 L/min (0,3 GPM). Si su velocidad de caudal de agua es inferior a este nivel, la unidad no se activará. Aumente la velocidad de caudal.
El calefón no calienta nada (el agua corre pero la unidad no está calentando – la temperatura del agua que sale es igual que la del suministro de agua fría) – la pantalla digital SE ilumina.	Falla de piezas internas.	Por favor, llámenos para solicitar asistencia técnica.
El calefactor está calentando, pero la temperatura del agua no es suficientemente caliente.	La graduación de temperatura del usuario es demasiado baja.	Aumente la graduación de temperatura en la unidad.
	La velocidad de caudal es demasiado alta.	Según la temperatura del agua que entra y los kW del calefón, la velocidad de caudal de agua de su hogar puede superar la capacidad de calefacción física del calefón. Reduzca la velocidad de caudal instalando un regulador de caudal. Use el cuadro de la sección 6 para averiguar qué regulador de caudal funciona mejor para su calefón particular.
	Cables cruzados.	Si es una instalación nueva, haga que su electricista vuelva a controlar el cableado. Es posible que el cableado sea incorrecto.
	Voltaje inferior a 240 voltios.	Los elementos calefactores de su calefón están diseñados para 240 voltios. Cuando se usan con un voltaje inferior, producen menos potencia de calentamiento. Tal vez necesite pasar a un calefón de entrada más grande.
	Mezcla demasiada agua fría.	Con su calefón sin tanque no necesita mezclar tanta agua fría como cuando usa un termostato convencional. También puede tener un dispositivo antiescaldadura en su grifo que esté mezclando agua fría. Estos tipos de grifos habitualmente se pueden ajustar para reducir la cantidad de agua fría que se mezcla.
La temperatura del agua en el grifo es inferior o superior a la graduación de temperatura de mi calefón.	Voltaje inferior a 240 voltios.	Los chips computarizados de su calefón sin tanque están programados para un voltaje de entrada de 240 voltios. Si tiene menos de 240 voltios, la lectura de la pantalla digital de su calefón puede verse afectada y provocar una lectura ligeramente mayor que la temperatura de salida real. Para compensarlo, aumente la graduación de su calefón si necesita/quiere agua más caliente.
	Válvula de compensación/presión antiescaldadura o válvula de templado.	Su grifo puede tener un dispositivo antiescaldadura o válvula de templado que automáticamente mezcla agua fría aun cuando usted gire la palanca o manija de control hasta caliente total. Habitualmente estos dispositivos son ajustables, así que usted puede anular la mezcla fría completamente. Puede compensarlo aumentando la graduación de su calefón si necesita/quiere agua más caliente.
	Pérdida térmica debido a la extensión de la cañería	Como el agua caliente del calefón recorre el sistema de entrega de agua caliente hasta su grifo, se perderá parte del calor, especialmente si la distancia a recorrer es larga o si los caños están fríos. Es normal. Puede compensarlo aumentando la graduación de su calefón si necesita/quiere agua más caliente.
	La temperatura del agua en el grifo es demasiado alta.	Controle que el flujo no sea demasiado bajo; que el punto de ajuste de la temperatura no sea demasiado alto o que no se haya producido una falla en alguna de las piezas interiores. Por favor, llámenos para solicitar asistencia técnica.

10 – INTERFAZ DE USUARIO

Encendido

- Haga clic en la perilla de ajuste, se encenderá la pantalla
- Haga clic en la perilla de ajuste otra vez, se apagará la pantalla

Conversión C/F

- Presione la perilla de ajuste durante 3 segundos; la pantalla cambiará de Fahrenheit a Celsius o viceversa

Control de temperatura

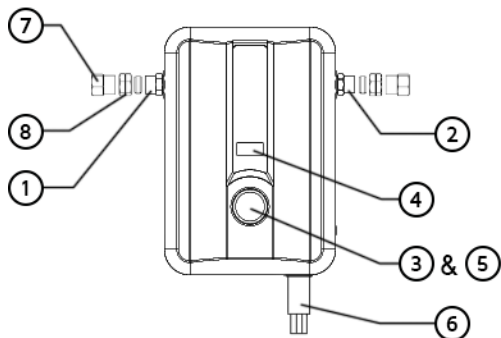
- Girando la perilla en el sentido de las agujas del reloj aumenta la temperatura del agua de salida fijada
- Girando la perilla en el sentido contrario a las agujas del reloj se reduce la temperatura del agua de salida fijada
- Puede fijar o ajustar la temperatura en cualquier momento entre 80°F – 140°F (27°C – 60°C). La temperatura se puede modificar según la graduación que desee. La pantalla solamente permanecerá encendida mientras la unidad esté en uso o cuando usted esté fijando la temperatura.



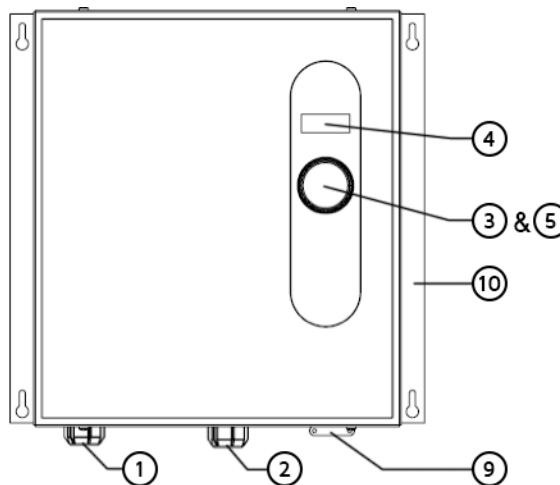
PELIGRO El agua más caliente aumenta el potencial de ESCALDADURAS por agua caliente.

PRECAUCIÓN: Al retirar la tapa para cambiar el punto de temperatura fijado se genera una situación de exposición a peligros de descarga eléctrica y quemaduras que pueden causar LESIONES o la MUERTE. El ajuste solo puede ser realizado por un plomero o electricista matriculado.

Entrada del calentador: 8 kW –11 kW –13 kW –36 kW



Entrada del calentador: 18 kW –24 kW –27 kW



1. Salida de agua caliente
2. Entrada de agua fría
3. Conversión Celsius/Fahrenheit (Presione y mantenga 3 segundos)
4. Pantalla de punto de ajuste de temperatura

5. Perilla de ajuste y control de temperatura
6. Conexión de cable
7. Tuerca de compresión de latón
8. Casquillo de compresión de latón

9. Alivio de tensión eléctrica
10. Ménsula de montaje (1")

Entrada	Altura en(mm)	Ancho en(mm)	Profundidad en (mm)
8/11/13 kW	12 (292,1)	9,75 (247,7)	3,75 (95,3)
18 kW	18 (431,8)	14 (355,6)	3,75 (95,3)
24/27 kW	18 (431,8)	17 (431,8)	3,75 (95,3)
36 kW	18 (431,8)	19 (482,6)	3,75 (95,3)

