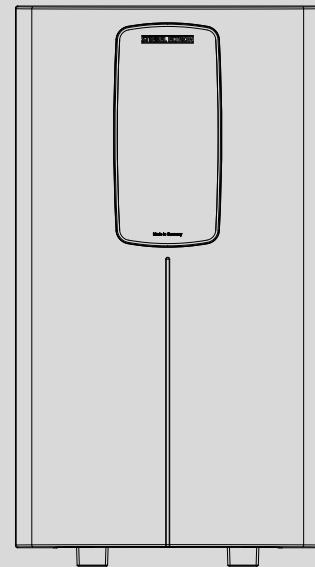


OPERATION AND INSTALLATION OPERACIÓN E INSTALACIÓN UTILISATION ET INSTALLATION

Electric Tankless Water Heater
Calentador de Agua Instantáneos sin Tanque
Chauffe-Eau Électrique sans Accumulateur

- » DHC 3-1 Classic
- » DHC 3-2 Classic
- » DHC 4-2 Classic
- » DHC 4-3 Classic
- » DHC 5-2 Classic
- » DHC 6-2 Classic
- » DHC 6-3 Classic
- » DHC 8-2 Classic
- » DHC 9-3 Classic
- » DHC 10-2 Classic



Certified to ANSI/UL Std. 499
Conforms to CSA Std. E335-1/3E & CSA E60335-2-35
Certificación con ANSI/UL Std. 499
Conforme a CAN/CSA Std. E335-1/3E & CSA E60335-2-35
Certifié à la norme ANSI/UL Std. 499
Conforme à la norme CAN/CSA Std. E335-1/3E
& CSA E60335-2-35



Tested and certified by WQA to NSF/ANSI 372
for lead free compliance.
Probado y certificado por WQA NSF/ANSI 372 para
el cumplimiento de las regulaciones sin plomo.
Testé et certifié par WQA à la NSF/ANSI 372 pour une
utilisation sans plomb.

STIEBEL ELTRON

SPECIAL INFORMATION

OPERATION

1. General information _____ **3**
 1.1 Safety information _____ 3
 1.2 Other symbols in this document _____ 3
2. Safety _____ **3**
 2.1 Intended use _____ 3
 2.2 Safety Precautions _____ 3
 2.3 Test symbols _____ 4
 2.4 Licenses / certificates _____ 4
3. Register your product _____ **4**
4. General description _____ **4**

INSTALLATION

5. Mounting the unit _____ **5**
6. Water connections _____ **6**
 6.1 Aerator installation at connected faucet _____ 6
7. Electrical connection _____ **6**
 7.1 DHC 3-2, and DHC 4-2 @ 208 V electrical connection _____ 7
 7.2 Terminal block _____ 7
8. Commissioning _____ **7**
 8.1 Water heater handover _____ 7
9. Troubleshooting _____ **8**
 9.1 Flow adjustment screw _____ 8
 9.2 Safety thermal cut-out reset button _____ 8
10. Normal maintenance _____ **9**
11. Technical Data _____ **9**
 11.1 Dimensions _____ 9
 11.2 Wiring diagrams _____ 10
 11.3 Temperature increase above ambient water temperature _____ 10
 11.4 Data tables _____ 11
12. Spare parts _____ **13**
13. Warranty _____ **14**

SPECIAL INFORMATION

- Read this entire manual. Failure to follow all the guides, instructions and rules could cause personal injury or property damage. Improper installation, adjustment, alteration, service and use of this unit can result in serious injury.
- This unit must be installed by a licensed electrician and plumber. The installation must comply with all national, state and local plumbing and electric codes. Proper installation is the responsibility of the installer. Failure to comply with the installation and operating instructions or improper use voids the warranty.
- Save these instructions for future reference. The installer should leave these instructions with the consumer.
- If you have any questions regarding the installation, use or operation of this water heater, or if you need any additional installation manuals, please call our technical service line at 800.582.8423 (USA and Canada only). If you are calling from outside the USA or Canada, please call USA 413.247.3380 and we will refer you to a qualified Stiebel Eltron service representative in your area.
- The water heater may be used by children aged 3 and older and persons with reduced physical, sensory or mental capabilities or a lack of experience and know-how, provided that they are supervised or they have been instructed on how to use the water heater safely and have understood the potential risks. Children must never play with the water heater. Children must never clean the water heater or perform user maintenance unless they are supervised.
- Ensure the water heater can be separated from the power supply by a circuit breaker that disconnects all poles with at least 1/8" (3 mm) contact separation.
- The specified voltage must match the power supply. See the type plate on the right-hand side of the water heater for full information.
- The water heater must be properly grounded. See 11.2, "Wiring diagrams", pg. 10.
- The water heater must be permanently connected to fixed wiring. For use on an individual branch circuit only. See 11.2, "Wiring diagrams", pg. 10.
- Secure the water heater as described in chapter 5, "Mounting the unit", pg. 5.
- Observe the maximum permissible pressure (See 11.4, "Data tables", pg. 11).

OPERATION

1. General information

The chapters "Special information" and "Operation" are intended for both users and qualified contractors.

The chapter "Installation" is intended for qualified contractors.



Note
Read these instructions carefully before using the water heater and retain them for future reference.
Pass on the instructions to a new user if required.

1.1 Safety information

1.1.1 Structure of safety information



KEYWORD Type of risk
Here, possible consequences are listed that may result from not observing the safety information.
► Steps to prevent the risk are listed.

1.1.2 Symbols, type of risk

Symbol	Type of risk
	Injury
	Electrocution
	Burns (burns, scalding)

1.1.3 Keywords

KEYWORD	Description
DANGER	If this information is not observed, it will result in serious injury or death.
WARNING	If this information is not observed, it can result in serious injury or death.
CAUTION	If this information is not observed, it can lead to medium or minor injury.

1.2 Other symbols in this document



Note
Notes are bordered by horizontal lines above and below the text. General information is identified by the symbol shown on the left.
► Read these notes carefully.

Symbol	
	Damage to the water heater and environment
	Appliance disposal

2. Safety

Observe the following safety information and regulations.

Operate the water heater only when fully installed and with all safety equipment fitted.

2.1 Intended use

The water heater is intended for heating domestic hot water and can supply one draw-off point.

The DHC Classic can be used for hand washing type applications in the U.S. and Canada:

- Restroom sinks in commercial/industrial facilities and homes
- Kitchen areas in commercial /industrial facilities and homes
- Special uses in photo developing shops, laboratories etc.

The DHC Classic can also be used for whole apartments and homes in warm climate zones such as the Caribbean region, Central America, and Mexico due to the higher incoming water temperatures.

Any other use beyond that described shall be deemed inappropriate. Observation of these instructions and of the instructions for any accessories used is also part of the correct use of this water heater.

2.2 Safety Precautions



DANGER: Injury
Please read and follow these instructions. Failure to follow these instructions could result in serious personal injury or death.



Damage to the water heater and the environment
The water heater must be installed by a licensed electrician and plumber. The installation must comply with all national, state and local plumbing and electric codes. Service of the water heater must be performed by qualified service technicians.

INSTALLATION

REGISTER YOUR PRODUCT



DANGER: Electrocution

Before beginning any work on the electric installation, be sure that main breaker panel switches are "off" to avoid any danger of electric shock. All mounting and plumbing must be completed before proceeding with electrical hook-up. Where required by local, state or national electrical codes the circuits should be equipped with a "ground fault interrupter".

The unit must be properly grounded in accordance with state and local codes, or in absence of such codes, in accordance with national electric code or the Canadian electric code. Failure to electrically ground the product could result in serious personal injury or death.



DANGER: Electrocution

Never remove the appliance's cover unless the electricity servicing the appliance is turned off. Failure to do so could result in personal injury or death.



DANGER: Burns

Water temperatures over 125 °F (52 °C) can cause severe burns instantly or death from scalding. A hot water scalding potential exists if the thermostat on the water heater is set too high. Households with small children, disabled or elderly persons may require that the thermostat be set at 113 °F (45 °C) or lower to prevent possible injury from hot water.



WARNING: Injury

Where children or persons with limited physical, sensory or mental capabilities are to be allowed to control this water heater, ensure that this will only happen under supervision or after appropriate instructions by a person responsible for their safety. Children should be supervised to ensure that they never play with the water heater.



WARNING: Electrocution

The connection to the power supply is only permissible as a permanent connection in conjunction with a 3/4" Romex clamp. Ensure the water heater can be separated from the power supply by an isolator that disconnects all poles with at least 1/8" (3 mm) contact separation.



Material losses

The user should protect the water heater against frost.

2.3 Test symbols

See type plate on the water heater.

2.4 Licenses / certificates

- UL (USA) Std. 499
- CSA (Canada) Std. E335-1/3E, and CSA E60335-2-35

3. Register your product



You must register this product within 90 days of purchase on our web site in order to activate the standard warranty or to be eligible for the extended warranty. Go to our web site at www.stiebel-eltron-usa.com and click on register your product.

Before beginning the registration process, we suggest that you gather the necessary information which will be as follows:

Type, Example: DHC 3-1 Classic (from the label that is on the unit)

Number listed after "Nr."

Place of Purchase

Purchase Date

First & Last Name

Email address

Physical Address

Phone Number

Installation Date

If you have any questions concerning the registration process or warranty options, please contact Stiebel Eltron USA directly at 800.582.8423.

4. General description

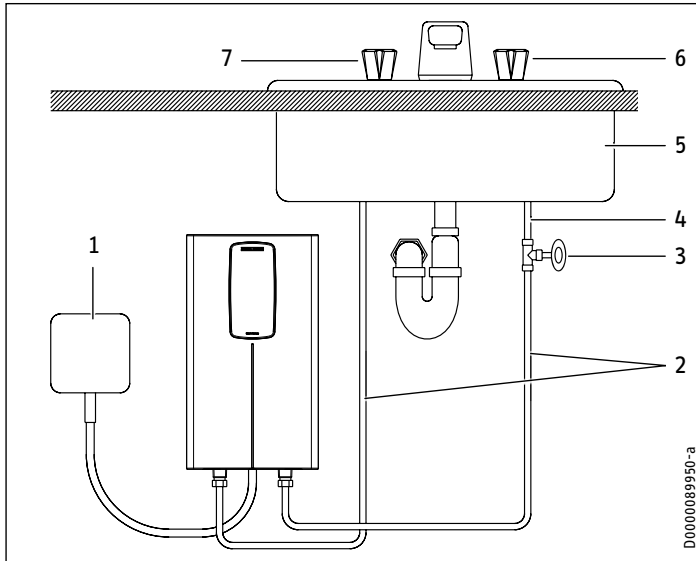
The DHC Classic tankless water heater differs from conventional storage type water heaters in several ways. It does not store hot water. Instead, water is heated instantaneously as it flows through the unit. The powerful heating elements are activated by a flow switch as water is drawn from a hot water faucet connected to the DHC Classic. Due to the absence of stand-by losses, the DHC Classic has greater energy efficiency than storage type water heaters.

The temperature of the hot water delivered by the DHC Classic depends on the wattage of the heating element, the temperature of the incoming cold water, and the water flow rate through the unit. In order for the DHC Classic to operate properly, it must be carefully matched to the application.

In case you have questions regarding the way you plan to use the DHC Classic, please call our technical service line at 800.582.8423 (USA and Canada). For service outside the U.S. and Canada, please call us at USA 413.247.3380. You can also e-mail us at info@stiebel-eltron-usa.com or fax us at 413.247.3369.

INSTALLATION

5. Mounting the unit



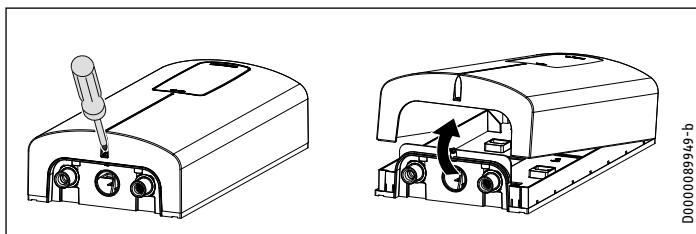
- 1 Electrical junction box
- 2 1/2" water supply line for faucet installation
- 3 Shut-off valve
- 4 Cold water supply
- 5 Sink
- 6 Cold valve (right)
- 7 Hot valve (left)



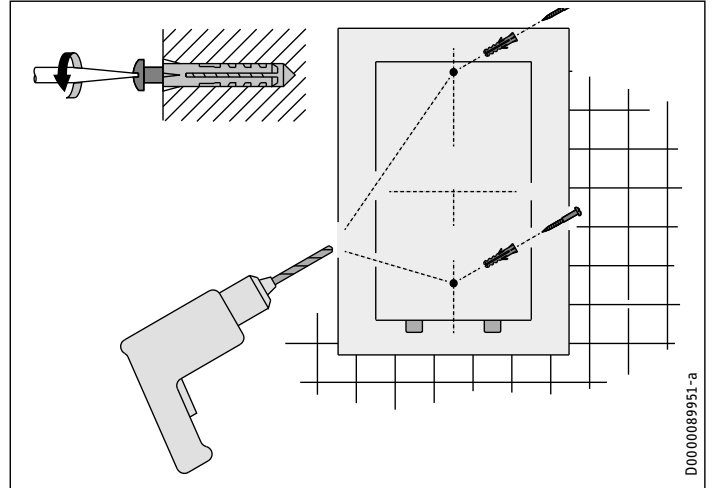
DANGER: Electrocutation

The unit must be installed in a vertical position with the water fittings pointing downward. Do not install unit where it would routinely be splashed with water. Electric shock may result.

1. Install DHC Classic as close as possible to the hot water draw-off point, for example, directly underneath the sink.
2. Install DHC Classic in a frost free area. If frost may occur, remove unit before freezing temperatures set in.
3. Leave a minimum of 5" of clearance on all sides for servicing.
4. Remove plastic cover by loosening the screw on the bottom. Lift cover off from the bottom. When reinstalling, insert the top of the cover into the rear housing first, then tilt the bottom into place. Re-tighten the cover screw.



5. Mount the unit securely to wall by putting two screws through the mounting holes. Screws and plastic wall anchors for mounting on drywall or wood are provided.



INSTALLATION

WATER CONNECTIONS

6. Water connections

! NOTICE: Excessive heat from soldering on copper pipes near the DHC Classic may cause damage. The cold water connection to the unit **must be disconnected periodically** in order to clean the filter screen. It is required to use water connections that are easily detachable such as braided steel flex connectors.

! NOTICE: Hard water or water with a high mineral count may damage the unit. Damage to the unit caused by scale or a high mineral count is not covered under the warranty.

1. All plumbing work must comply with national and applicable state and local plumbing codes.
2. A pressure reducing valve must be installed if the cold water supply pressure exceeds 150 psi (10 bar).
3. Make certain that the cold water supply line has been flushed to remove any scale and dirt.
4. Install shut-off valve in cold water line as shown in illustration. This allows the unit to be isolated for maintenance purposes.
5. Cold water connection (inlet) is on the right side of the unit, hot water connection (outlet) is on the left side of unit.
6. Tankless water heaters such as the DHC Classic are not required to be equipped with a Temperature and Pressure Relief Valve (T&P). If the local inspector will not pass the installation without a T&P, it should be installed on the hot water outlet side of appliance.
7. The DHC Classic's hot water outlet is designed for connection to copper tubing, PEX tubing or a braided stainless steel hose with a 1/2" NPT female tapered thread.
8. The plumbing on the cold water inlet side needs to be such that it can easily be removed to allow access to the inlet filter screen. The easiest way to achieve this is to use a braided steel flex connector. If soldering near the unit is necessary, please direct the flame away from the housing of the unit in order to avoid damage. Note that excessive heat from soldering near the cold water inlet fitting may damage the plastic filter screen located inside it.
9. When all plumbing work is completed, check for leaks and take corrective action before proceeding.

6.1 Aerator installation at connected faucet

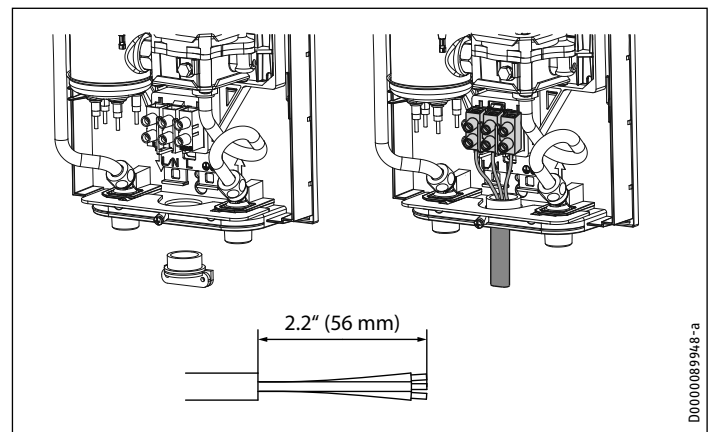
DHC 3-1, 3-2, and 4-2 Classic models ship with a 0.5 gpm pressure compensating flow-reducer/aerator that must be installed on the faucet the water heater is connected to. Failure to install the aerator may result in lower water temperatures than desired.

7. Electrical connection

⚡ DANGER: Electrocutation Before beginning any work on the electric installation, be sure that main breaker panel switches are "off" to avoid any danger of electric shock. All mounting and plumbing must be completed before proceeding with electrical hook-up. Where required by local, state or national electrical codes the circuits should be equipped with a "ground fault interrupter." The unit must be properly grounded in accordance with state and local codes, or in absence of such codes, in accordance with national electric code or the Canadian electric code. Failure to electrically ground the product could result in serious personal injury or death.

⚡ WARNING Electrocutation The connection to the power supply is only permissible as a permanent connection in conjunction with a 3/4" Romex clamp. Ensure the water heater can be separated from the power supply by an isolator that disconnects all poles with at least 1/8" (3 mm) contact separation.

1. All electrical work must comply with national and applicable state and local electrical codes.
2. The DHC Classic should be connected to a properly grounded dedicated branch circuit of proper voltage rating. In installations with several DHC Classic units, each unit requires an independent circuit. Please refer to the technical data table for the correct wire and circuit breaker size.
3. A 3/4" Romex clamp (required, not supplied) should be installed in the opening located between the hot and cold water connections. The wire should be fed through the Romex clamp. The "live" wires must be connected to the slots on the terminal block marked N and L (DHC 3-1, 4-3, 6-3, 9-3 Classic only) or L and L (all other versions). The ground wire must be connected to the slot marked with the ground symbol.



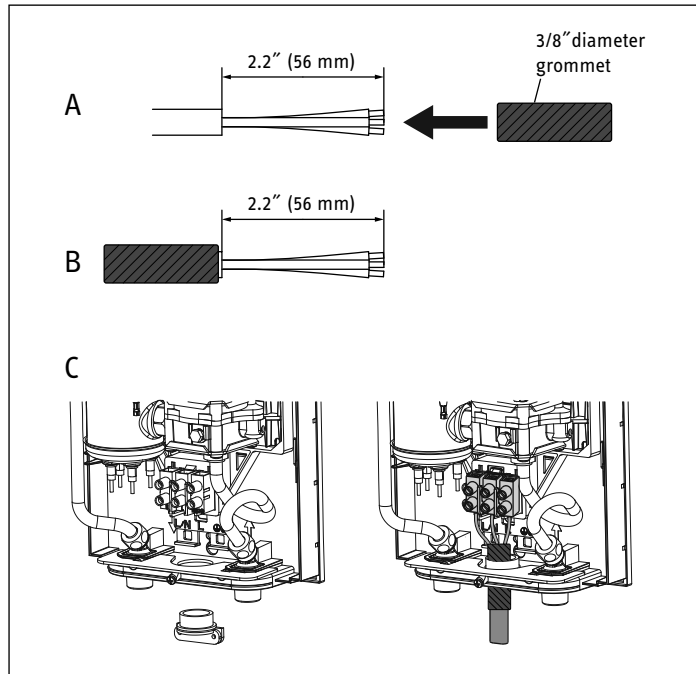
4. Reinstall plastic cover. When reinstalling, insert the top of the cover into the rear housing first, then tilt the bottom into place. Re-tighten the cover screw.

INSTALLATION COMMISSIONING

7.1 DHC 3-2, and DHC 4-2 @ 208 V electrical connection

A 3/8" diameter rubber grommet is supplied as part of the required electrical installation with DHC 3-2 and DHC 4-2 Classic units.

1. When installing the DHC 3-2 Classic at either 208 or 240 V, or the DHC 4-2 Classic at 208 V, first feed the 14 AWG wire through the supplied rubber grommet. Prepare the wires according to the diagram:



2. A 3/4" Romex clamp (required, not supplied) should be installed in the opening located between the hot and cold water connections. The wire with the rubber grommet in place should be fed through the Romex clamp. The "live" wires must be connected to the slots on the terminal block marked L and L. The ground wire must be connected to slot marked with the ground symbol.
3. Reinstall plastic cover. When reinstalling, insert the top of the cover into the rear housing first, then tilt the bottom into place. Re-tighten the cover screw.

7.2 Terminal block

Consult the chart below for the recommended torque amounts on the terminal block screws.

Screw Size (mm)	Min. Torque (N•cm)	Min. Torque (Lbf•in)
M5	150-200	13.3-17.7

Using the proper torque specifications to secure wire to the wiring block helps to avoid personal loss or property damage.

8. Commissioning



WARNING:
Open hot water faucet for a few minutes until water flow is continuous and all air is purged from water pipes. The unit's cover must be installed before the circuit breakers are turned on.

1. Vent the air from pipes and the water heater by opening the hot water faucet for a few minutes, until water flow is continuous and all air is purged from the water pipes.
2. Turn on circuit breaker to bring electrical power to the unit.
3. Open hot water faucet to a degree so that water flow is typical, i.e. until the water flow is the same as that encountered during normal use.
4. Wait twenty seconds until temperature has stabilized. Then check water temperature. If temperature is too low, the water flow rate needs to be reduced. In order to do this, turn off the unit's circuit breaker, remove the cover and turn the flow adjustment screw shown in illustration clockwise 1/2 turn (180 degrees) See 9.1, "Flow adjustment screw", pg. 8. Then reinstall plastic cover, turn on circuit breaker and check water temperature. This procedure should be repeated until the desired temperature is achieved. In case the water temperature is too high, turn the flow adjustment screw counter clockwise in the same manner until the desired temperature is achieved. The arrows in the illustration refer to the water temperature.
5. In order to obtain temperature control at a single spout mixer-type faucet, restrict cold water flow to faucet by partially closing the cold water shut-off valve under the sink until cold water and hot water flow rates are approximately the same.

8.1 Water heater handover

Explain the functions of the water heater to the user. Draw special attention to the safety information. Hand the operating and installation instructions to the user.

INSTALLATION TROUBLESHOOTING

9. Troubleshooting

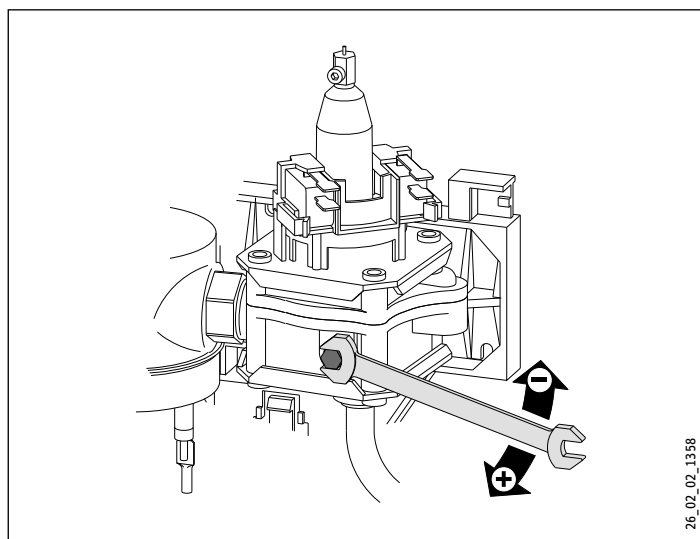
Symptom	Possible cause	Solution
No hot water but audible click can be heard when water is turned on.	Circuit breaker off	Circuit breaker on
	Safety thermal cut-out tripped	Reset thermal cut-out
	Heater may be undersized	See 11.3, "Temperature increase above ambient water temperature", pg. 10
No hot water and no audible click can be heard when water is turned on	Water flow too low to activate flow switch	Clean faucet aerator
		Open shut-off valve completely
		Increase flow by opening flow adjustment screw (turn counterclockwise)
Water not warm enough	Water flow too high	Clean filter screen at DHC unit. See 10, "Normal maintenance", pg. 9
		Reduce water flow by closing flow adjustment screw (turn clockwise). See 11.3, "Temperature increase above ambient water temperature", pg. 10
	Voltage too low	Supply correct voltage to unit

If you are not able to resolve a problem please contact us toll free at 800.582.8423 before removing the unit from the wall. Stiebel Eltron is happy to provide technical assistance. In most instances, we can resolve the problem over the phone.

9.1 Flow adjustment screw

To lower the water temperature or increase water flow, open the flow adjustment screw by turning counterclockwise (-). This **decreases** the water temperature by **increasing** water volume.

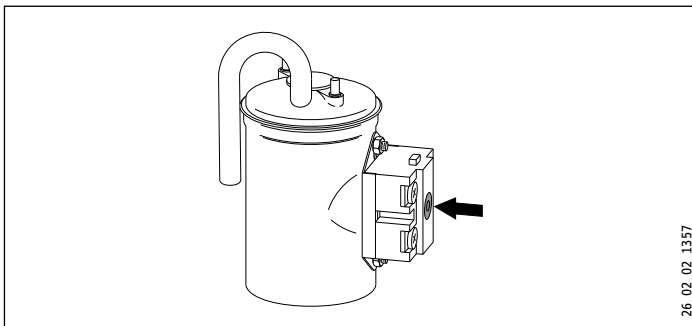
To raise the water temperature or reduce water flow, close the flow adjustment screw by turning clockwise (+). This **increases** the water temperature by **decreasing** water volume.



9.2 Safety thermal cut-out reset button



DANGER: Electrocutation
Do not attempt to reset the safety thermal cutout of this water heater unless power to the unit has been completely shut off at the circuit breakers.



10. Normal maintenance



WARNING Electrocution

Before performing any work on the water heater, ensure power to the unit has been completely shut off at the circuit breaker.



NOTICE:

Hard water or water with a high mineral count may damage the unit. Damage to the unit caused by scale or a high mineral count is not covered under the warranty.



Note:

Other than the filter screen, the DHC Classic does not contain any parts serviceable by the lay person. In case of malfunction please contact a licensed plumber or electrician.

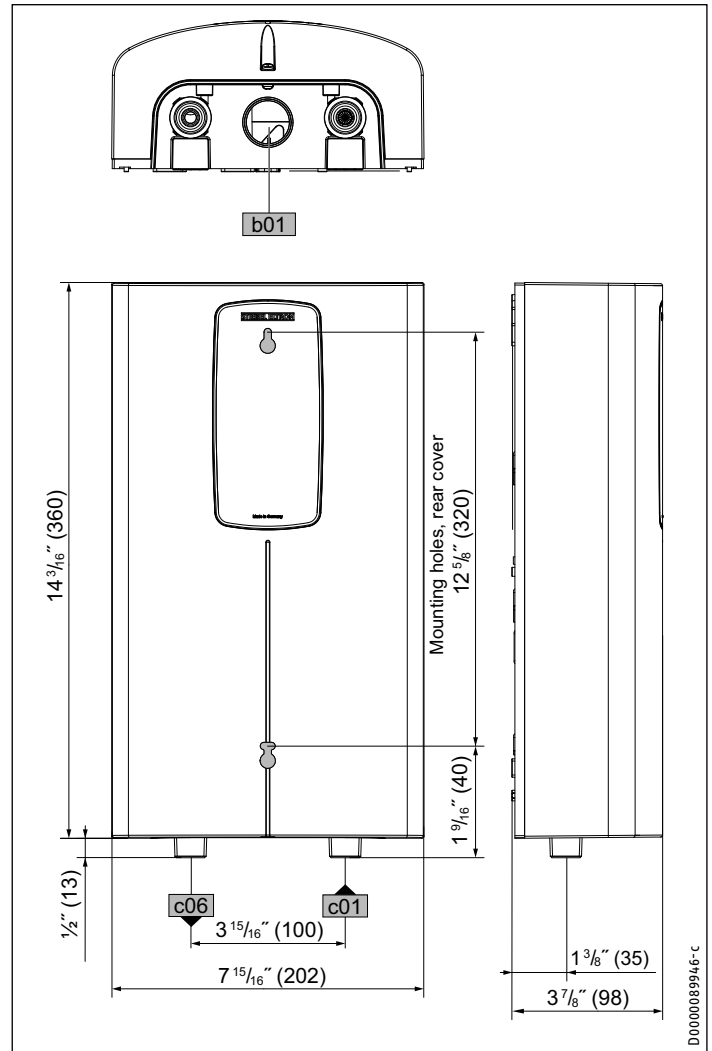
Stiebel Eltron DHC Classic tankless water heaters are designed for a very long service life. Actual life expectancy will vary with water quality and use. To ensure consistent water flow, it is recommended to periodically remove scale and dirt that may build up at the aerator of the faucet or in the shower head.

The DHC Classic has a built in sediment filter screen that should be cleaned periodically:

- ▶ Turn off power to the water heater at the circuit breaker.
- ▶ Turn off the water supply to the water heater at the shut-off valve.
- ▶ Open a connected hot water tap to relieve built-up pressure (this will minimize leakage when removing the connection from the cold water inlet).
- ▶ Disconnect the braided steel flex connector from the cold water inlet fitting (right).
- ▶ To remove the filter screen from the bottom of the cold water inlet, carefully insert a flathead screwdriver just above the plastic lip of the filter screen, and gently pull downward.
- ▶ Clean the filter screen, re-insert securely into the cold water inlet fitting, and reconnect the braid steel flex connector to the cold water inlet.
- ▶ Open the cold water supply shut-off valve.
- ▶ Vent the air from pipes and the water heater by opening the hot water faucet for a few minutes, until water flow is continuous and all air is purged from the water pipes.
- ▶ Turn on circuit breaker to bring electrical power to the unit.

11. Technical Data

11.1 Dimensions




b01	electrical supply cable	
c01	cold water connection	1/2" NPT
c06	hot water connection	1/2" NPT

INSTALLATION TECHNICAL DATA

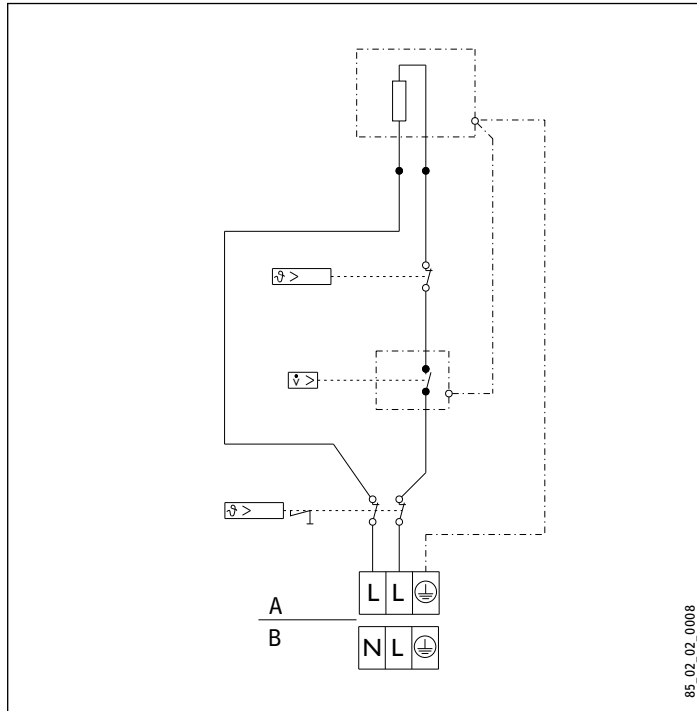
11.2 Wiring diagrams

DHC 3-2 Classic, DHC 4-2 Classic, DHC 5-2 Classic

A  2/GND ~ 208 / 240V

DHC 4-3 Classic

B  1/N/GND ~ 277V



85_02_02_0008

DHC 6-2 Classic, DHC 8-2 Classic, DHC 10-2 Classic

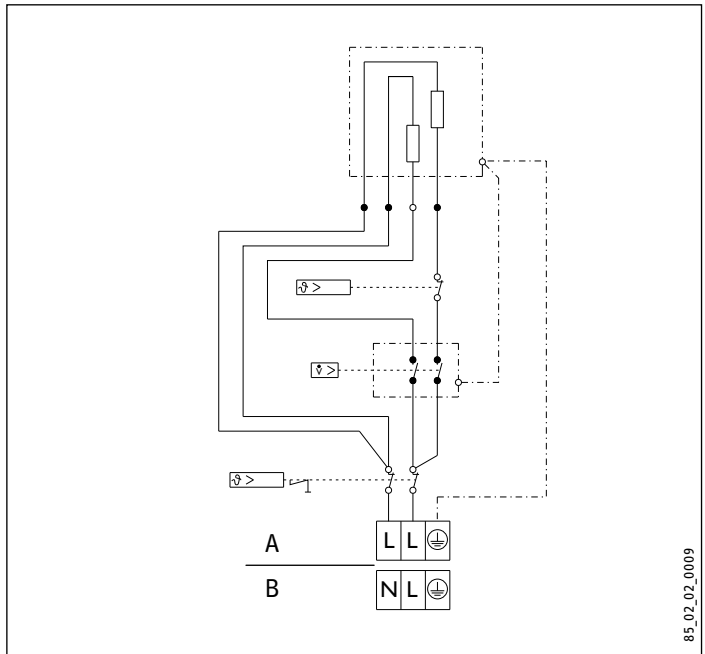
A  2/GND ~ 208 / 240V

DHC 6-3 Classic, DHC 9-3 Classic

B  1/N/GND ~ 277V

DHC 3-1 Classic


B  1/N/GND ~ 120V




85_02_02_0009

11.3 Temperature increase above ambient water temperature

Type	kW	[°F]								
		0.32	0.43	0.48	0.53	0.69	0.80	1.0	1.5	2.0
DHC 3-1	3.0	65	49	43	41	30	26	20	14	10
DHC 3-2	2.5	54	40	35	34	25	21	17	11	9
	3.3	71	53	47	45	33	28	22	15	11
DHC 4-2	2.9	-	47	41	40	29	25	20	13	10
	3.8	-	61	54	52	38	33	26	17	13
DHC 4-3	4.5	-	73	64	61	45	39	31	20	15
DHC 5-2	3.6	-	58	51	49	36	31	25	16	12
	4.8	-	77	68	65	48	41	33	22	16
DHC 6-2	4.5	-	-	64	61	45	39	31	20	15
	6.0	-	-	85	82	60	52	41	27	20
DHC 6-3	6.0	-	-	85	82	60	52	41	27	20
DHC 8-2	5.4	-	-	-	-	54	46	37	25	18
	7.2	-	-	-	-	71	62	49	33	25
DHC 9-3	9.0	-	-	-	-	-	77	58	41	31
DHC 10-2	7.2	-	-	-	-	-	62	49	33	25
	9.6	-	-	-	-	-	82	65	44	33

 Min. water flow to activate unit

Type	kW	[°C]								
		1.2	1.6	1.8	2.0	2.6	3.0	4.0	5.0	7.5
DHC 3-1	3.0	36	27	24	22	17	14	11	9	6
DHC 3-2	2.5	30	22	20	18	14	12	9	7	5
	3.3	39	30	26	24	18	16	12	9	6
DHC 4-2	2.9	-	26	23	21	16	14	10	8	6
	3.8	-	34	30	27	21	18	14	11	7
DHC 4-3	4.5	-	40	36	32	25	22	16	13	9
DHC 5-2	3.6	-	32	29	26	20	17	13	10	7
	4.8	-	43	38	34	26	23	17	14	9
DHC 6-2	4.5	-	-	36	32	25	22	16	13	9
	6.0	-	-	48	43	33	29	22	17	11
DHC 6-3	6.0	-	-	48	43	33	29	22	17	11
DHC 8-2	5.4	-	-	-	-	30	26	19	15	10
	7.2	-	-	-	-	40	34	26	21	14
DHC 9-3	9.0	-	-	-	-	-	43	32	26	17
DHC 10-2	7.2	-	-	-	-	-	34	26	21	14
	9.6	-	-	-	-	-	46	34	28	18

 Min. water flow to activate unit

INSTALLATION TECHNICAL DATA

11.4 Data tables

	DHC 3-1 Classic	DHC 3-2 Classic		DHC 4-2 Classic		DHC 4-3 Classic	DHC 5-2 Classic	
	202646	202647		202648		202649	202650	
Electrical details								
Voltage	120 V	208 V	240 V	208 V	240 V	277 V	208 V	240 V
Wattage	3.0 kW	2.5 kW	3.3 kW	2.9 kW	3.8 kW	4.5 kW	3.6 kW	4.8 kW
Amperage	25 A	12 A	14 A	14 A	16 A	17 A	18 A	20 A
Minimum recommended circuit breaker size ¹	25 A	15 A	15 A	15 A	20 A	20 A	20 A	20 A
Minimum recommended wire size (copper) ²	10 AWG	14 AWG		14 AWG	12 AWG	12 AWG	12 AWG	
Power connection	1/N/GND	2/GND		2/GND		1/N/GND	2/GND	
Connections								
Water connection ³	1/2" NPT							
Total alkaline earths	2.5 mol/m ³							
Total hardness (H ₂ O)	14 Degree d							
Hardness range	2 (average hardness)							
Hydraulic data								
Rated capacity	0.13 gal (0.5 l)							
Values								
Max. permissible inlet temp.	86 °F (30 °C)							
Min. water flow to activate unit	0.32 gpm (1.2 l/min)	0.32 gpm (1.2 l/min)		0.43 gpm (1.6 l/min)		0.43 gpm (1.6 l/min)	0.43 gpm (1.6 l/min)	
Pressure drop at flow rate	3.33 psi (0.023 MPa)	3.33 psi (0.023 MPa)		3.33 psi (0.023 MPa)		3.33 psi (0.023 MPa)	3.33 psi (0.023 MPa)	
Flow rate for pressure drop	0.32 gpm (1.2 l/min)	0.32 gpm (1.2 l/min)		0.43 gpm (1.6 l/min)		0.43 gpm (1.6 l/min)	0.43 gpm (1.6 l/min)	
Application limits								
Max. permissible pressure	150 psi (1 MPa)							
Test pressure	300 psi (2 MPa)							
Versions								
Pressure vessel material	Copper							
Heating system	Tubular heater							
Cover and back panel	Plastic							
Color	White							
Dimensions								
Height	14 ³ / ₁₆ in (360 mm)							
Width	7 ¹⁵ / ₁₆ in (202 mm)							
Depth	3 ⁷ / ₈ in (98 mm)							
Weights								
Weight	5.5 lb (2.5 kg)	4.6 lb (2.1 kg)		4.6 lb (2.1 kg)		4.6 lb (2.1 kg)	4.6 lb (2.1 kg)	

DHC 3-1, 3-2, 4-2 Classic ship with a 0.5 GPM pressure compensating flow-reducer/aerator that must be installed.

- ¹ Overcurrent protection sized at 100% of load (DP for 240/208/277 V & SP for 120 V models). Tankless water heaters are considered a non-continuous load. GFCI Class A circuit breakers are recommended.
- ² Copper must be used. Conductors should be sized to maintain a voltage drop of less than 3% under load.
- ³ Suitable for supply with cold water only.

These are our recommendations. Check local codes for compliance if necessary.

INSTALLATION TECHNICAL DATA

	DHC 6-2 Classic		DHC 6-3 Classic		DHC 8-2 Classic		DHC 9-3 Classic		DHC 10-2 Classic	
	202651		202652		202653		202654		202655	
Electrical details										
Voltage	208 V	240 V	277 V		208 V	240 V	277 V		208 V	240 V
Wattage	4.5 kW	6.0 kW	6.0 kW		5.4 kW	7.2 kW	9.0 kW		7.2 kW	9.6 kW
Amperage	22 A	25 A	21.7 A		26 A	30 A	32.5 A		35 A	40 A
Min. recommended circuit breaker size ¹	25 A	25 A	25 A		30 A	30 A	35 A		35 A	40 A
Min. recommended wire size (copper) ²	10 AWG		10 AWG		10 AWG		8 AWG		8 AWG	
Power connection	2/GND		1/N/GND		2/GND		1/N/GND		2/GND	
Connections										
Water connection ³	1/2" NPT									
Total alkaline earths	2.5 mol/m ³									
Total hardness (H ₂ O)	14 Degree d									
Hardness range	2 (average hardness)									
Hydraulic data										
Rated capacity	0.13 gal (0.5 l)									
Values										
Max. permissible inlet temp.	86°F (30°C)									
Min. water flow to activate unit	0.48 gpm (1.8 l/min)		0.48 gpm (1.8 l/min)		0.69 gpm (2.6 l/min)		0.8 gpm (3.0 l/min)		0.8 gpm (3.0 l/min)	
Pressure drop at flow rate	3.33 psi (0.023 MPa)		3.33 psi (0.022 MPa)		3.63 psi (0.025 MPa)		4.35 psi (0.03 MPa)		4.35 psi (0.03 MPa)	
Flow rate for pressure drop	0.48 gpm (1.8 l/min)		0.48 gpm (1.8 l/min)		0.69 gpm (2.6 l/min)		0.8 gpm (3.0 l/min)		0.8 gpm (3.0 l/min)	
Application limits										
Max. permissible pressure	150 psi (1 MPa)									
Test pressure	300 psi (2 MPa)									
Versions										
Pressure vessel material	Copper									
Heating system	Tubular heater									
Cover and back panel	Plastic									
Color	White									
Dimensions										
Height	14 ³ / ₁₆ in (360 mm)									
Width	7 ¹⁵ / ₁₆ in (202 mm)									
Depth	3 ⁷ / ₈ in (98 mm)									
Weights										
Weight	5.5 lb (2.5 kg)									

¹ Overcurrent protection sized at 100% of load (DP for 240/208/277 V & SP for 120 V models). Tankless water heaters are considered a non-continuous load. GFCI Class A circuit breakers are recommended.

² Copper must be used. Conductors should be sized to maintain a voltage drop of less than 3% under load.

³ Suitable for supply with cold water only.

These are our recommendations. Check local codes for compliance if necessary.

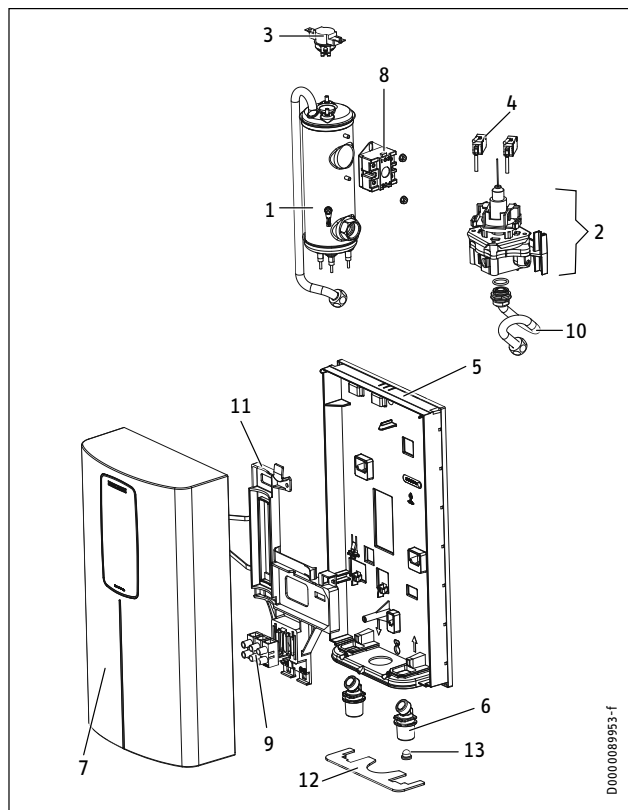
INSTALLATION

SPARE PARTS

12. Spare parts

No.	Spare part	DHC 3-1 Classic	DHC 3-2 Classic	DHC 4-2 Classic	DHC 4-3 Classic	DHC 5-2 Classic
1	Heating system	165889	167769	167770	165890	167771
2	Flow switch	165273	165273	162162	162162	162162
3	Thermostat	162472	162472	162472	162472	162472
4	Switch	168026	168026	168026	168026	168026
5	Housing (back)	326968	326968	326968	326968	326968
6	Plumbing connection	326589	326589	326589	326589	326589
7	Housing (front)	326965	326965	326965	326965	326965
8	Safety thermal cut-out	162474	162474	162474	162474	162474
9	Wiring block	026010	026010	026010	026010	026010
10	Copper tube	162314	162314	162314	162314	162314
11	Module chassis	342052	342052	342052	342052	342052
12	Locking sheet	326234	326234	326234	326234	326234
13	Filter screen	275981	275981	275981	275981	275981

No.	Spare part	DHC 6-2 Classic	DHC 6-3 Classic	DHC 8-2 Classic	DHC 9-3 Classic	DHC 10-2 Classic
1	Heating system	171117	342051	167772	296874	167773
2	Flow switch	171105	171105	162164	162165	162165
3	Thermostat	162472	162472	162472	162472	162472
4	Switch	168026	168026	168026	168026	168026
5	Housing (back)	326968	326968	326968	326968	326968
6	Plumbing connection	326589	326589	326589	326589	326589
7	Housing (front)	326965	326965	326965	326965	326965
8	Safety thermal cut-out	162474	162474	162474	162474	162474
9	Wiring block	026010	026010	026010	026010	026010
10	Copper tube	162314	162314	162314	162314	162314
11	Module chassis	342052	342052	342052	342052	342052
12	Locking sheet	326234	326234	326234	326234	326234
13	Filter screen	275981	275981	275981	275981	275981



13. Warranty

Subject to the terms and conditions set forth in this limited warranty, Stiebel Eltron, Inc. (the “Manufacturer”) hereby warrants to the original purchaser (the “Owner”) that each Tankless Electric Domestic Hot Water Heater (the “Heater”) shall not (i) leak due to defects in the Manufacturer’s materials or workmanship for a period of seven (7) years from the date of purchase or (ii) fail due to defects in the Manufacturer’s materials or workmanship for a period of three (3) years from the date of purchase. As Owner’s sole and exclusive remedy for breach of the above warranty, Manufacturer shall, at the Manufacturer’s discretion, send replacement parts for local repair; retrieve the unit for factory repair, or replace the defective Heater with a replacement unit with comparable operating features. Manufacturer’s maximum liability under all circumstances shall be limited to the Owner’s purchase price for the Heater.

This limited warranty shall be the exclusive warranty made by the Manufacturer and is made in lieu of all other warranties, express or implied, whether written or oral, including, but not limited to warranties of merchantability and fitness for a particular purpose. Manufacturer shall not be liable for incidental, consequential or contingent damages or expenses arising directly or indirectly from any defect in the Heater or the use of the Heater. Manufacturer shall not be liable for any water damage or other damage to property of Owner arising, directly or indirectly, from any defect in the Heater or the use of the Heater. Manufacturer alone is authorized to make all warranties on Manufacturer’s behalf and no statement, warranty or guarantee made by any other party shall be binding on Manufacturer.

Manufacturer shall not be liable for any damage whatsoever relating to or caused by:


1. any misuse or neglect of the Heater, any accident to the Heater, any alteration of the Heater, or any other unintended use;
2. acts of God and circumstances over which Manufacturer has no control;


3. installation of the Heater other than as directed by Manufacturer and other than in accordance with applicable building codes;
4. failure to maintain the Heater or to operate the Heater in accordance with the Manufacturer’s specifications;
5. operation of the Heater under fluctuating water pressure or in the event the Heater is supplied with non-potable water, for any duration;
6. improper installation and/or improper materials used by any installer and not relating to defects in parts or workmanship of Manufacturer;
7. moving the Heater from its original place of installation;
8. exposure to freezing conditions;
9. water quality issues such as corrosive water, hard water, and water contaminated with pollutants or additives;

Should owner wish to return the Heater to manufacturer for repair or replacement under this warranty, Owner must first secure written authorization from Manufacturer. Owner shall demonstrate proof of purchase, including a purchase date, and shall be responsible for all removal and transportation costs. If Owner cannot demonstrate a purchase date this warranty shall be limited to the period beginning from the date of manufacture stamped on the Heater. Manufacturer reserves the right to deny warranty coverage upon Manufacturer’s examination of Heater. This warranty is restricted to the Owner and cannot be assigned.

Some States and Provinces do not allow the exclusion or limitation of certain warranties. In such cases, the limitations set forth herein may not apply to the Owner. In such cases this warranty shall be limited to the shortest period and lowest damage amounts allowed by law. This warranty gives you specific legal rights and you may also have other rights which vary from State to State or Province to Province.

Owner shall be responsible for all labor and other charges incurred in the removal or repair of the Heater in the field. Please also note that the Heater must be installed in such a manner that if any leak does occur, the flow of water from any leak will not damage the area in which it is installed.

 **The installation, electrical connection and first operation of this appliance should be carried out by a qualified installer.**

 **The company does not accept liability for failure of any goods supplied which have not been installed and operated in accordance with the manufacturer’s instructions.**

Environment and recycling

Please help us to protect the environment by disposing of the packaging in accordance with the national regulations for waste processing.

This Warranty is valid for U.S.A. & Canada only. Warranties may vary by country. Please consult your local Stiebel Eltron Representative for the Warranty for your country.

NOTES

INFORMACIÓN ESPECIAL

OPERACIÓN

1.	Indicaciones generales	17
1.1	Indicaciones para el cableado:	17
1.2	Otras marcas presentes en este documento	17
2.	Seguridad	17
2.1	Uso previsto	17
2.2	Información general	17
2.3	Medidas de seguridad	18
2.4	Sello de certificación	18
3.	Registre su producto	18
4.	Recomendaciones generales	18

INSTALACIÓN

5.	Instalación física	19
6.	Conexión de agua	20
6.1	Instalación del aireador en el grifo conectado	20
7.	Conexión eléctrica	20
7.1	Conexión eléctrica DHC 3-2, y DHC 4-2 a 208 V	21
7.2	Bloque de terminales	21
8.	Operación de la unidad	21
9.	Resolución de incidencias (troubleshooting)	22
10.	Mantenimiento	23
11.	Datos técnicos	23
11.1	Plano dimensional	23
11.2	Diagramas eléctricos	24
11.3	Aumento de temperatura del agua	25
11.4	Tabla de especificaciones	26
12.	Piezas de recambio	28
13.	Garantía	29

INFORMACIÓN ESPECIAL

- Lea todo este manual. El incumplimiento de todas las guías, instrucciones y reglas puede causar lesiones personales o daños a la propiedad. La instalación, el ajuste, la alteración, el servicio y el uso incorrectos de esta unidad pueden provocar lesiones graves.
- Esta unidad debe ser instalada por un electricista y plomero con licencia. La instalación debe cumplir con todos los códigos de plomería y electricidad nacionales, estatales y locales. La instalación correcta es responsabilidad del instalador. El incumplimiento de las instrucciones de instalación y funcionamiento o el uso incorrecto anula la garantía.
- Guarde estas instrucciones para referencia futura. El instalador debe dejar estas instrucciones con el consumidor.
- Si tiene alguna pregunta sobre la instalación, el uso o el funcionamiento de este calentador de agua, o si necesita manuales de instalación adicionales, llame a nuestra línea de servicio técnico al 800.582.8423 (solo EE. UU. Y Canadá). Si llama desde fuera de los EE. UU. O Canadá, llame al 413.247.3380 de EE. UU. Y lo derivaremos a un representante de servicio calificado de Stiebel Eltron en su área.
- El calentador de agua puede ser utilizado por niños de 3 años en adelante y personas con capacidades físicas, sensoriales o mentales reducidas o falta de experiencia y conocimiento, siempre que estén supervisados o se les haya enseñado cómo usar el calentador de agua de manera segura, y he entendido los riesgos potenciales. Los niños nunca deben jugar con el calentador de agua. Los niños nunca deben limpiar el calentador de agua ni realizar el mantenimiento del usuario a menos que estén supervisados.
- Asegúrese de que el calentador de agua pueda separarse de la fuente de alimentación mediante un disyuntor que desconecta todos los polos con una separación de contacto de al menos 1/8 pulg. (3 mm).
- El voltaje especificado debe coincidir con la fuente de alimentación. Consulte la placa de características en el lado derecho del calentador de agua para obtener información completa.
- El calentador de agua debe estar correctamente conectado a tierra. Ver sección 11.2, "Diagramas eléctricos" 11.2, pág. 24.
- El calentador de agua debe estar conectado permanentemente a un cableado fijo. Para usar solo en un circuito derivado individual. See 11.2, "Diagramas eléctricos", pg. 24.
- Asegure el calentador de agua como se describe en sección 5, "Instalación física", pg. 19.
- Observe la presión máxima permitida. (See 11.4, "Tabla de especificaciones", pg. 26).

OPERACIÓN

1. Indicaciones generales



Indicación:

Lea atentamente estas instrucciones antes de utilizar el aparato y familiarícese con sus funciones. Conserve este manual en un lugar seguro. Si entregara este aparato a otros usuarios no olvide incluir el manual.

1.1 Indicaciones para el cableado:

1.1.1 Estructura de las indicaciones de seguridad



ADVERTENCIA: De tipo de peligro
Aquí aparecen las posibles consecuencias del desobedecimiento de las indicaciones de seguridad.
► Se indican las medidas necesarias para evitar estos peligros.

1.1.2 Símbolos, tipo de peligro

Símbolo	Tipo de peligro
	Lesión
	Electrocución
	Quemadura o escaldamiento

1.1.3 Palabras clave

PALABRA CLAVE	Descripción
PELIGRO	El desobedecimiento de esta información conlleva graves lesiones o la muerte
w	El desobedecimiento de esta información puede conllevar graves lesiones o la muerte
ATENCIÓN	El desobedecimiento de esta información puede conllevar lesiones de mediana gravedad o lesiones leves

1.2 Otras marcas presentes en este documento



Indicación:

La indicación está limitada por líneas horizontales sobre y bajo el texto. La información general se señala mediante el símbolo que se muestra a la izquierda.
► Lea atentamente las indicaciones.

Símbolo	
	Daños en el aparato y al medio ambiente
	Eliminación del aparato

► Este símbolo indica que debe usted hacer algo. Lo que debe hacer se describe en pasos individuales.

2. Seguridad

Observe las siguientes indicaciones y normas de seguridad.

El equipo sólo debe utilizarse después de haber sido instalado completamente y con todos los dispositivos de seguridad.

2.1 Uso previsto

El aparato está previsto para el calentamiento del agua potable y puede abastecer una punto de extracción.

El uso fuera de las especificaciones descritas se considera indebido.

Además, el obedecimiento de las presentes instrucciones forma parte del uso previsto de este aparato.

2.2 Información general

El aparato está previsto para utilizarse en un ámbito doméstico. Personas no instruidas lo pueden manejar de forma segura. El aparato puede utilizarse igualmente en ámbitos que no sean domésticos, como en pequeñas empresas, siempre que se maneje del mismo modo.

Lea el manual íntegramente. El desobedecimiento de las normas, instrucciones y reglamentos puede causar lesiones físicas a personas y/o daños materiales. La instalación, ajuste, modificación y mantenimiento incorrectos del presente aparato puede conducir a lesiones físicas considerables.

Este aparato debe ser instalado por un técnico autorizado. La instalación debe cumplir toda la normativa nacional, regional y local. El técnico especializado es responsable de la correcta instalación. El desobedecimiento de las instrucciones de instalación y operación o el uso indebido conducen a la anulación de la garantía.

Guarde el presente manual para futuras consultas. El técnico especializado debe entregar este manual al usuario.

En caso de cualquier consulta relativa a la instalación, uso u operación del presente calentador o, si fuera preciso en relación a cual-

INSTALACIÓN

REGISTRE SU PRODUCTO

quier otro manual de instalación, diríjase al teléfono de servicio técnico (véase última página).

2.3 Medidas de seguridad



ADVERTENCIA: Peligro de lesiones
Lea y obedezca las siguientes instrucciones.
El desobedecimiento de esta información puede conllevar graves lesiones o la muerte.



Daños en el aparato y al medio ambiente:
Este aparato debe ser instalado por un técnico autorizado. La instalación debe cumplir toda la normativa nacional, regional y local.
El mantenimiento del aparato debe ser realizado por técnicos autorizados.



PELIGRO: Electrocutión
Antes de llevar a cabo cualquier tarea de instalación, ajuste, modificación o mantenimiento de este aparato deben desconectarse todos los interruptores de potencia y seccionadores de alimentación eléctrica del aparato. El desobedecimiento de estas indicaciones puede conllevar graves lesiones o la muerte.



PELIGRO: Electrocutión
El aparato debe conectarse a tierra adecuadamente. Si no se conecta a tierra el producto pueden producirse graves lesiones físicas o incluso la muerte.



PELIGRO: Quemaduras
Las temperaturas del agua que superen los 125 °F (52 °C) pueden causar quemaduras graves repentinas o incluso la muerte por escaldamiento. El peligro de escaldamiento con agua caliente existe si el termostato del aparato presenta un ajuste demasiado alto. En hogares con niños pequeños, personas discapacitadas o personas mayores puede ser necesario ajustar el termostato a 113 °F (45 °C) o menos para evitar lesiones físicas por agua caliente.



ADVERTENCIA: Peligro de lesiones
El aparato puede ser utilizado por niños a partir de 8 años, así como personas con capacidades físicas, sensoriales o mentales limitadas, o con falta de experiencia y conocimientos, solo bajo la vigilancia de otra persona o si antes han recibido instrucciones sobre el uso seguro del aparato y han comprendido los peligros que pueden derivarse. No deje que los niños jueguen con el aparato. Las tareas de limpieza y mantenimiento propias del usuario no deben ser realizadas por niños sin vigilancia.

2.4 Sello de certificación

- UL (E.E.U.U.) Est. 499
- CSA (Canadá) Est. E335-1/3E, y CSA E60335-2-35

3. Registre su producto



Nota:

Debe registrar este producto en un plazo de 90 días desde la compra a través de nuestra página web para activar cualquier garantía estándar o para optar a la ampliación de la garantía. Visite nuestra página web www.stiebel-eltron-usa.com y haga clic en “Registre su producto”.

Antes de comenzar el proceso de registro, le sugerimos que recopile la siguiente información que necesitará:

Modelo, ejemplo: DHC Classic

Número que se indica después de “Nr.”

Lugar de compra

Fecha de compra

Nombre y apellido

Dirección de email

Dirección postal

Número de teléfono

Fecha de instalación

Si tiene alguna pregunta en relación con el proceso de registro o con las opciones de garantía, por favor, póngase en contacto directamente con Stiebel Eltron USA en el número de teléfono (800)-582-8423.

4. Recomendaciones generales

Los calentadores de agua DHC Classic difieren de los calentadores de tanque en muchas maneras. Este calentador no almacena agua caliente. Al contrario, calienta el agua instantáneamente cuando esta fluye a través de la unidad. El poderoso elemento que calienta, es activado solamente cuando se abre una llave de agua caliente la cual esta conectada al sistema alimentado por el calentador.

Usos

Los calentadores eléctricos DHC Classic son ideales para el uso en casas, apartamentos o cabañas en áreas de un clima subtropical y tropical como el Caribe, muchas partes de México, Centro América y América del Sur.

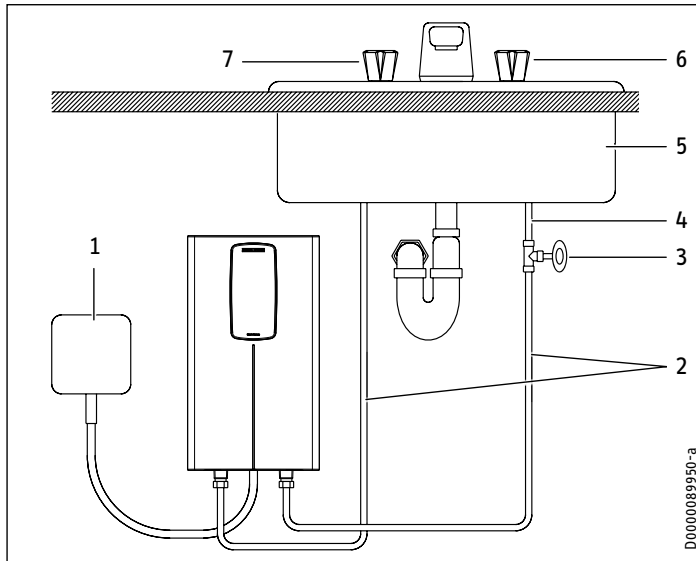
Los modelos DHC Classic ocupan muy poco espacio, son fáciles de instalar y proveen agua caliente continua y sin limite. Se pueden usar con sistemas eléctricos bien sea de 60 Hz o de 50 Hz.

La unidad se activa solo cuando hay demanda para agua caliente, evitando así, consumo y gasto innecesario de energía eléctrica y de agua.

Los importantes ahorros en el consumo de electricidad que ofrecen los modelos DHC Classic pueden llegar hasta un 50 % cuando se comparan con el consumo de los calentadores eléctricos tipo “tanque.”

INSTALACIÓN

5. Instalación física



- 1 Caja eléctrica
- 2 Línea de agua, 1/2 pulg.
- 3 Válvula de servicio
- 4 Suministro de agua fría
- 5 Lavamanos
- 6 Válvula de agua fría
- 7 Válvula de agua caliente

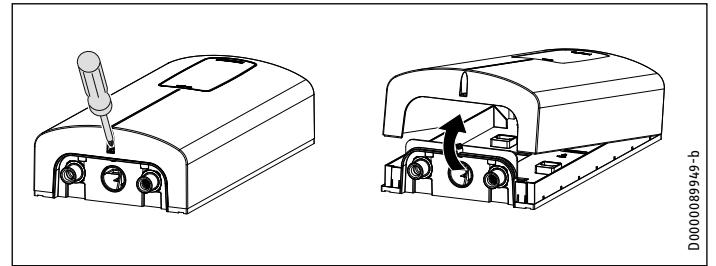


PELIGRO: Electrocución
El aparato debe conectarse a tierra adecuadamente. Si no se conecta a tierra el producto pueden producirse graves lesiones físicas o incluso la muerte.

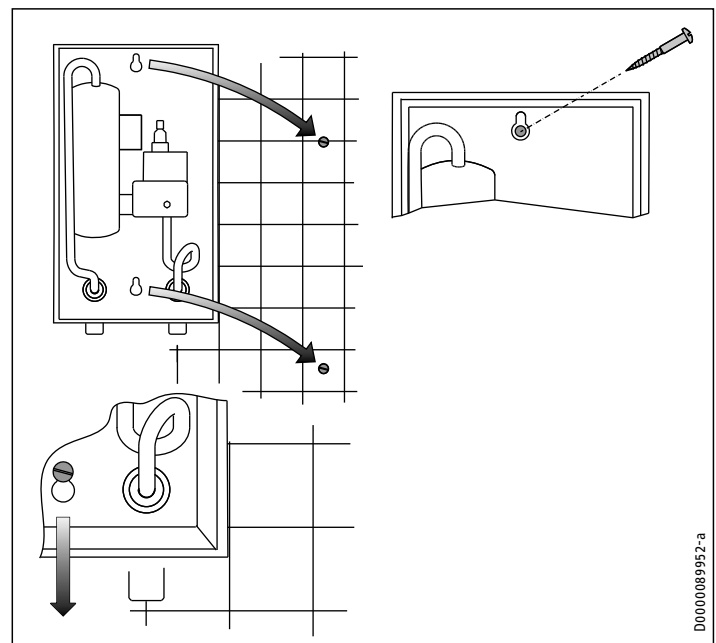
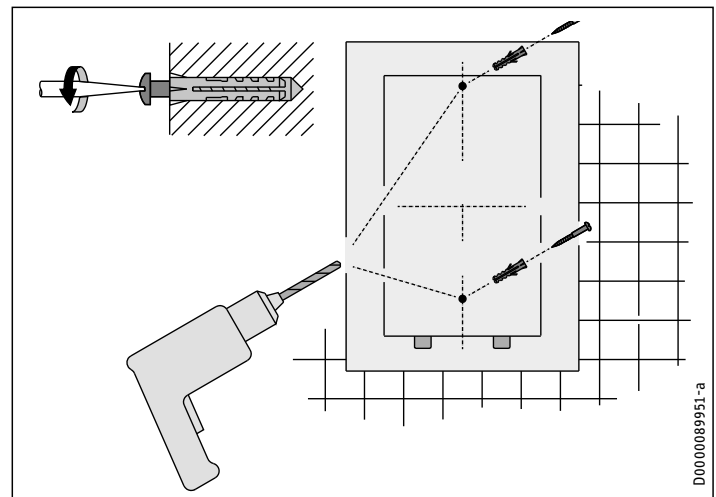


PELIGRO: Electrocución
La unidad debe instalarse en posición vertical con las conexiones de agua en la parte de abajo. No instale la unidad donde pueda mojarse, esto podría ocasionar una descarga eléctrica.

1. Instale DHC Classic lo más cerca posible del punto de extracción de agua caliente, por ejemplo, directamente debajo del lavabo.
2. Instale DHC Classic en un área libre de heladas. Si se produce escarcha, retire la unidad antes de que se establezcan las temperaturas de congelación.
3. Deje un mínimo de 5 pulg. de espacio libre en todos los lados para el servicio.
4. Retire la cubierta de plástico desenroscando el tornillo en la parte inferior. Levante la cubierta desde la parte inferior. Al reemplazarlo, inserte primero la parte superior de la cubierta en la carcasa trasera, luego incline la parte inferior hacia su lugar. Vuelva a apretar el tornillo de la tapa.



5. Monte la unidad de forma segura en la pared colocando dos tornillos a través de los agujeros de montaje. Se proporcionan tornillos y anclajes de plástico para montaje en paneles de yeso o madera.



INSTALACIÓN

CONEXIÓN DE AGUA

6. Conexión de agua

! **NOTA:** Calor excesivo de las soldaduras en las líneas de cobre puede causar daños al calentador. La conexión de agua fría a la unidad debe desconectarse periódicamente para limpiar la pantalla del filtro. Se requiere el uso de conexiones de agua que sean fácilmente desmontables, como los conectores flexibles de acero trenzado.

! **NOTA:** El agua dura o con un alto recuento de minerales puede dañar la unidad. El daño a la unidad causado por la incrustación o un alto recuento de minerales no está cubierto por la garantía.

1. Todo trabajo de plomería debe cumplir con los códigos de plomería. Nacional y/o Local.
2. Una válvula reductora de presión debe ser instalada si la línea de suministro de agua excede una presión de 150 psi (10.3 bar).
3. Asegúrese de dejar correr el agua por la línea de suministro antes de cualquier conexión para eliminar cualquier depósito o sucio en la misma.
4. Instalar válvula de servicio en línea de suministro de agua. Esto permite aislar la unidad para propósitos de mantenimiento.
5. Conexión de agua de suministro (entrada) es al lado derecho de la unidad. La conexión de agua caliente (salida) debe ser al lado izquierdo de la unidad.
6. El calentador de agua DHC Classic no requiere una válvula de alivio por temperatura y presión (T y P). Si el inspector la requiere se debe instalarla después de la salida de agua caliente de la unidad.
7. La salida de agua caliente del DHC Classic está diseñada para conectarse a tubos de cobre, tubos PEX o una manguera de acero inoxidable trenzada con una rosca cónica hembra de 1/2 pulg. NPT.
8. La conexión de agua fría a la unidad esta sujeta a ser desconectada periódicamente par poder limpiar el pequeño filtro / malla que se encuentra adentro de la misma. Sugerimos utilizar conexiones, uniones de tope y mangueras flexibles, resistentes al agua caliente, que permitan hacer tal servicio de mantenimiento preventivo. Si es necesario realizar cualquier trabajo de soldadura cerca de la unidad dirija la llama apartándola de la carcasa de la unidad para evitar que se produzcan daños.
9. Una vez realizados todos los trabajos de fontanería, revise la instalación para comprobar si existen fugas y tome medidas correctivas antes de comenzar a utilizar la unidad.

6.1 Instalación del aireador en el grifo conectado

Los modelos DHC 3-1, 3-2 y 4-2 Classic se envían con un reductor / aireador de flujo de compensación de presión de 0.5 gpm que debe instalarse en el grifo al que está conectado el calentador de agua. Si no se instala el aireador, la temperatura del agua puede ser inferior a la deseada.

7. Conexión eléctrica



PELIGRO: Electrocutación

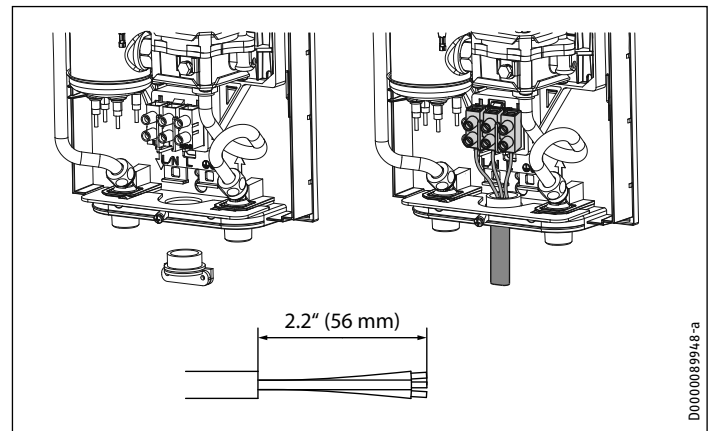
Antes de comenzar la instalación eléctrica asegúrese de que el interruptor termomagnético principal del panel eléctrico este apagado para evitar posible descarga eléctrica.



NOTA:

Toda instalación eléctrica y de plomería debe completarse antes de encender el interruptor termomagnético principal. El circuito debe ser equipado con un interruptor de conexión a tierra ("ground fault interrupter") cuando sea requerido por el código eléctrico nacional y/o local.

1. Todo trabajo eléctrico debe cumplir con las disposiciones del Colegio de Peritos Electricistas y Códigos Nacionales y/o Locales.
2. La unidad DHC Classic debe tener su circuito independiente utilizando tres alambres de cobre de tamaño apropiado y protegido por un interruptor termomagnético (breaker) correctamente seleccionado. Para instalar varias unidades DHC Classic se requiere un circuito independiente para cada una.
3. Se debe instalar una abrazadera 3/4 pulg. Romex (requerida, no suministrada) en la abertura ubicada entre las conexiones de agua fría y caliente. Los cables deben alimentarse a través de la abrazadera Romex, que también proporcionará un alivio de tensión adecuado. Los cables "activos" deben conectarse a las ranuras del bloque de terminales marcadas con N y L (DHC 3-1, 4-3, 6-3, 9-3 Classic solamente) o L y L (todas las demás versiones). El cable de tierra debe estar conectado a la ranura marcada con el símbolo de tierra.
4. Reinstalar la cubierta plástica. Al volver a instalar, inserte primero la parte superior de la cubierta en la carcasa trasera, luego incline la parte inferior en su lugar. Vuelva a apretar el tornillo de la tapa.



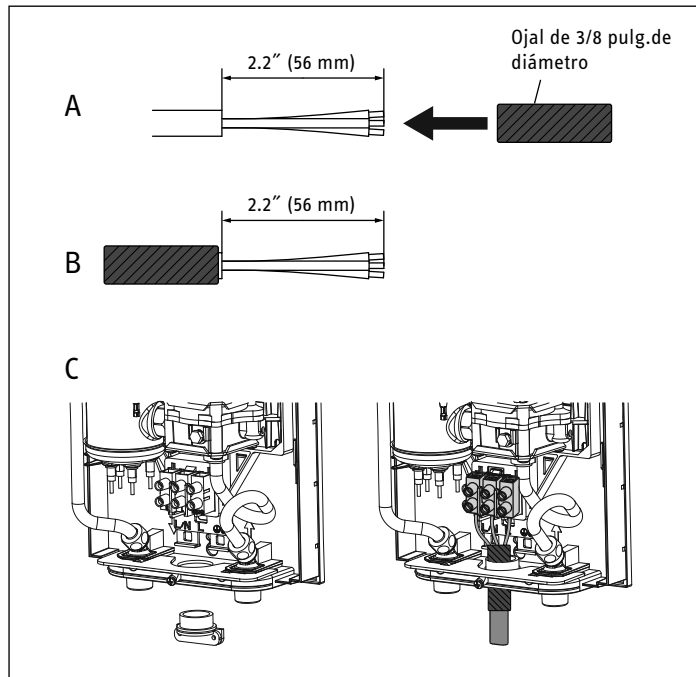
PELIGRO: Electrocutación

Como cualquier otro aparato eléctrico el no conectarlo a tierra puede resultar en una descarga eléctrica, grave lesión y/o incluso ocasionar muerte.

7.1 Conexión eléctrica DHC 3-2, y DHC 4-2 a 208 V

Se suministra una arandela de goma de 3 / 8" de diámetro como parte de la instalación eléctrica requerida con las unidades DHC 3-2 y DHC 4-2 Classic.

1. Al instalar el DHC 3-2 Classic a 208 o 240 V, o el DHC 4-2 Classic a 208 V, primero alimente el cable de 14 AWG a través de la arandela de goma suministrada. Prepare los cables de acuerdo con el diagrama:



2. Se debe instalar una abrazadera Romex de 3 / 4" (requerida, no suministrada) en la abertura ubicada entre las conexiones de agua fría y caliente. El cable con la arandela de goma en su lugar debe pasar por la abrazadera Romex. Los cables "vivos" deben estar conectados a las ranuras del bloque de terminales marcadas con L y L. El cable de tierra debe estar conectado a la ranura marcada con el símbolo de tierra.
3. Vuelva a instalar la cubierta de plástico. Al volver a instalar, inserte primero la parte superior de la cubierta en la carcasa trasera, luego incline la parte inferior en su lugar. Vuelva a apretar el tornillo de la tapa.

7.2 Bloque de terminales

Consulte el siguiente diagrama para ver el nivel recomendado de torsión en los tornillos del bloque de terminales.

Diámetro del cable (mm)	Torsión (N•cm)	Torsión (lbf•in)
M5	150-200	13.3-17.7

Usar las especificaciones de torsión adecuadas para fijar el cable al bloque de cableado ayuda a evitar pérdidas personales o daños a la propiedad.

8. Operación de la unidad



ADVERTENCIA:

Abra la llave de agua caliente por varios minutos hasta que el flujo de agua sea continuo y todo el aire haya salido de la tubería.

La cobertura plástica de la unidad debe ser instalada antes de encender el interruptor automático del circuito.

1. Encender el interruptor automático del circuito para proveer corriente a la unidad. Abrir la llave de agua caliente a un punto típico, o sea, hasta que el flujo de agua sea igual al de uso normal. Espere 60 segundos hasta que la temperatura se estabilice.
2. Probar temperatura del agua, si la temperatura es muy baja, el flujo de agua debe ser reducido. Para reducir el flujo apague el interruptor automático de circuito, remueva cobertura plástica y dele media vuelta (180 grados) en dirección manecillas del reloj ("clockwise" al tornillo de ajuste de flujo).
3. Reinstale cobertura plástica, encienda el interruptor automático y verifique la temperatura del agua nuevamente. Este procedimiento debe repetirse hasta que se obtenga la temperatura de agua deseada. Por lo contrario, si la temperatura de agua es muy alta ajuste el tornillo de flujo, en contra de las manecillas del reloj (counterclockwise) de la misma manera hasta obtener la temperatura deseada.
4. Para obtener control de temperatura con una llave tipo mezcladora, restrinja el flujo de agua fría a la mezcladora cerrando parcialmente la llave de paso de dicha mezcladora hasta tanto el flujo de agua fría y caliente sean aproximadamente iguales.

9. Resolución de incidencias (troubleshooting)

Síntoma	Causa posible	Solución
No hay agua caliente pero se escucha el "click" al abrir agua caliente.	Se cayó el interruptor automático (breaker)	Usar interruptor automático (breaker) adecuado.
	Protección termal activada	Oprimir protector termal (botón)
No hay agua caliente y no se oye el "click".	El calentador de agua puede ser pequeño	Ver sección Ver sección 11.3, "Aumento de temperatura del agua" 11.3, pág. 25
	No hay flujo de agua suficiente para activar unidad	Limpiar los aireadores "aerators". Abrir válvula al máximo. Abrir tornillo de ajuste de flujo.
Agua no caliente suficiente	Bajo flujo de agua	Limpiar el filtro en el dispositivo. Ver sección 10, "Mantenimiento" 10, pág. 23
	Voltaje muy bajo ó incorrecto	Disminuir flujo de agua (cerrar tornillo de ajuste.) Suministrar voltaje correcto.

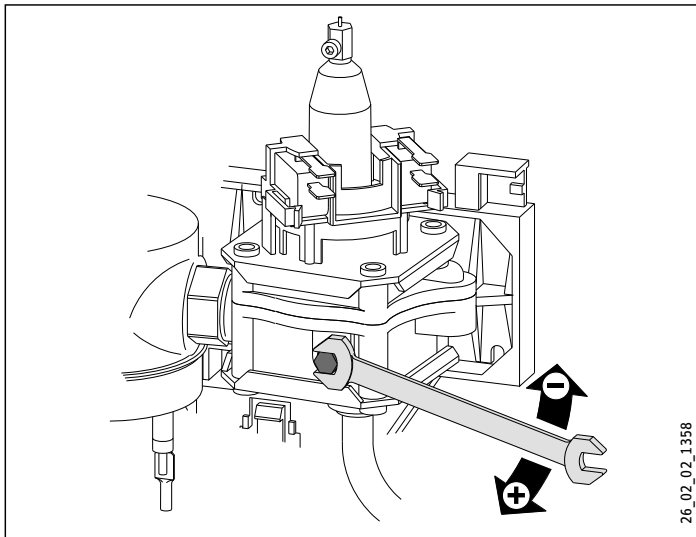
Si el problema no puede solucionarse, diríjase a nosotros (véase última página) antes de retirar el aparato de la pared.

STIEBEL ELTRON le proporcionará asistencia técnica con mucho gusto. En la mayoría de los casos, el problema puede solucionarse mediante una consulta telefónica.

Tornillo de flujo

Para bajar la temperatura del agua o aumentar el flujo de agua, abra el tornillo de ajuste del flujo girándolo en sentido antihorario (-). Esto disminuye la temperatura del agua al aumentar el volumen de agua.

Para aumentar la temperatura del agua o reducir el flujo de agua, cierre el tornillo de ajuste del flujo girando en sentido horario (+). Esto aumenta la temperatura del agua al disminuir el volumen de agua.



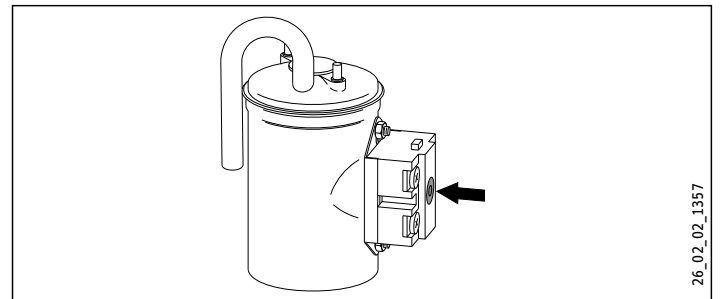
26_02_02_1358

Protección termal con botón de activación



PELIGRO: Electrocutación

No intente restablecer el corte térmico de seguridad de este calentador de agua a menos que la unidad haya sido completamente desconectada de los interruptores automáticos.



26_02_02_1357

10. Mantenimiento



PELIGRO: Electrocutación

Antes de realizar cualquier trabajo en el calentador de agua, asegúrese de que la unidad se haya sido completamente desconectada de los interruptores automáticos.



ATENCIÓN:

Hay que tomar en cuenta que la instalación de la unidad en lugares donde hay "agua dura" o agua con un alto contenido de minerales se toma un riesgo de dañar los componentes internos de la unidad por incrustaciones. En tales situaciones la garantía no se considera válida.



Nota:

Aparte de la pantalla de filtro, el DHC Classic no contiene ninguna pieza que pueda reparar el lego. En caso de mal funcionamiento, comuníquese con un plomero o electricista con licencia. Por favor no intente repararlo usted mismo.

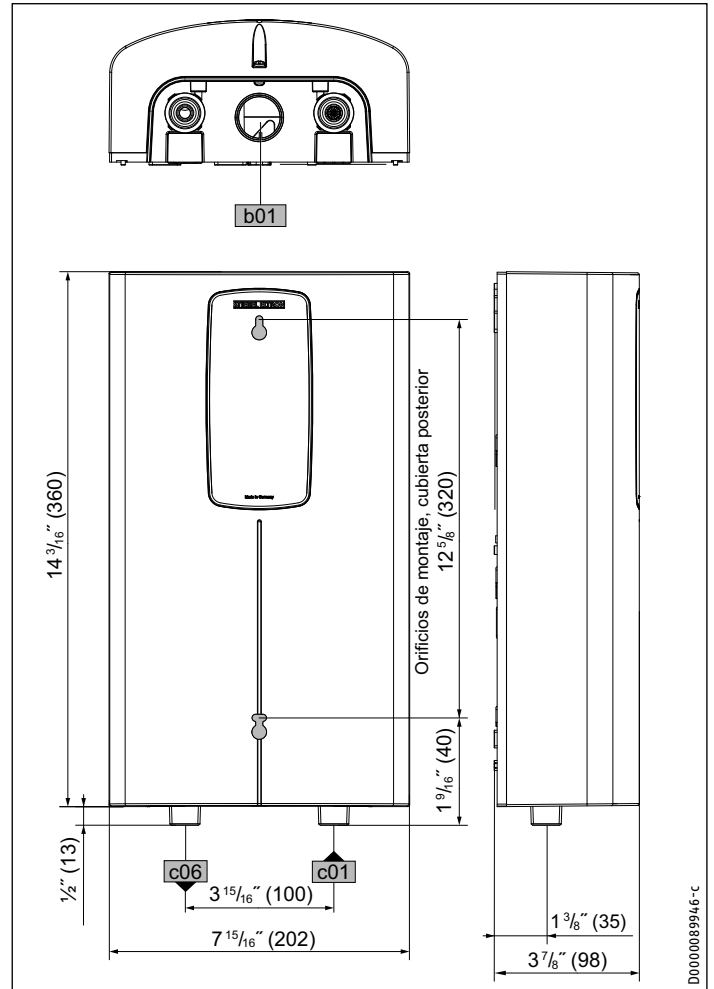
Los calentadores de agua Stiebel Eltron DHC Classic están diseñados para una larga y duradera vida de servicio. La vida útil del equipo depende de la calidad de agua y del uso. Sin embargo, para asegurar el flujo de agua se recomienda que se remuevan los depósitos que puedan acumularse en el filtro del lavamanos o en las duchas.

El DHC Classic tiene una pantalla de filtro de sedimentos incorporada que debe limpiarse periódicamente:

- ▶ Apague la energía al calentador de agua en el interruptor de circuito.
- ▶ Cierre el suministro de agua al calentador de agua en la válvula de cierre.
- ▶ Abra un grifo de agua caliente conectado para aliviar la presión acumulada (esto minimizará las fugas al quitar la conexión de la entrada de agua fría).
- ▶ Desconecte el conector flexible de acero trenzado del accesorio de entrada de agua fría (derecha).
- ▶ Para quitar la pantalla del filtro de la parte inferior de la entrada de agua fría, inserte cuidadosamente un destornillador de cabeza plana justo encima del borde de plástico de la pantalla del filtro y tire suavemente hacia abajo.
- ▶ Limpie la pantalla del filtro, vuelva a insertarla firmemente en el accesorio de entrada de agua fría y vuelva a conectar el conector flexible de acero trenzado a la entrada de agua fría.
- ▶ Abra la válvula de cierre del suministro de agua fría.
- ▶ Ventile el aire de las tuberías y el calentador de agua abriendo el grifo de agua caliente durante unos minutos, hasta que el flujo de agua sea continuo y se purgue todo el aire de las tuberías de agua.
- ▶ Encienda el disyuntor para llevar energía eléctrica a la unidad.

11. Datos técnicos

11.1 Plano dimensional



b01	Cable de alimentación	
c01	Conexión de agua fría	1/2 pulg. NPT
c06	Conexión de agua caliente	1/2 pulg. NPT

INSTALACIÓN

DATOS TÉCNICOS

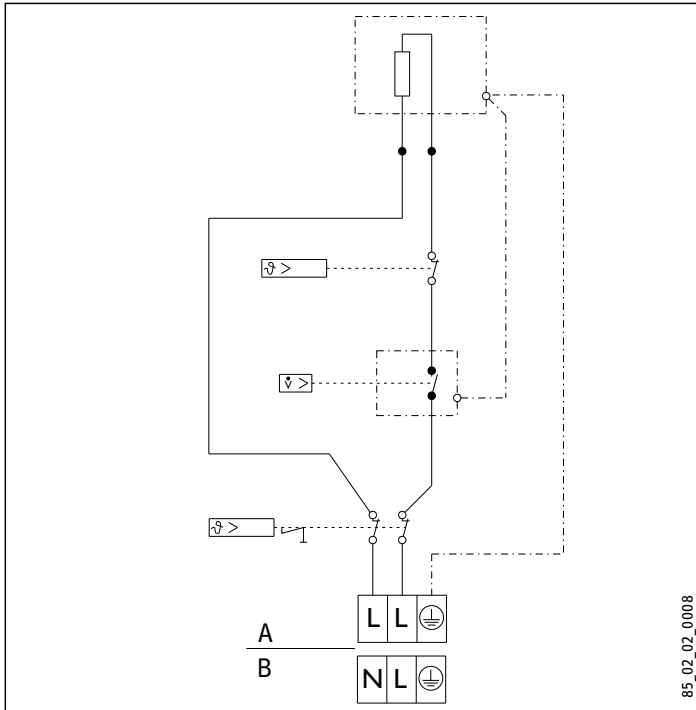
11.2 Diagramas eléctricos

DHC 3-2 Classic, DHC 4-2 Classic, DHC 5-2 Classic

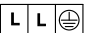
A  2/GND ~ 208 / 240V

DHC 4-3 Classic

B  1/N/GND ~ 277V



DHC 6-2 Classic, DHC 8-2 Classic, DHC 10-2 Classic

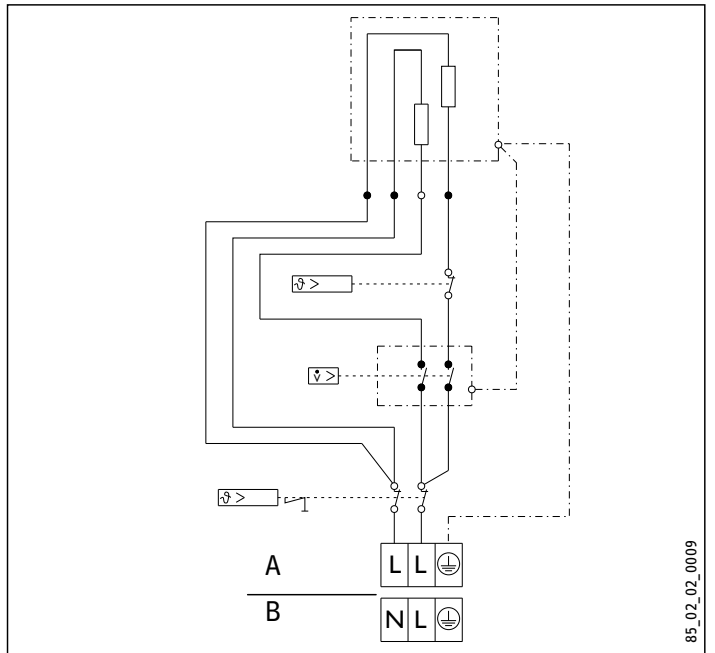
A  2/GND ~ 208 / 240V

DHC 6-3 Classic, DHC 9-3 Classic

B  1/N/GND ~ 277V

DHC 3-1 Classic

B  1/N/GND ~ 120V



INSTALACIÓN

DATOS TÉCNICOS

11.3 Aumento de temperatura del agua

Tipo	kW	°F								
		GPM (galones por minuto)								
		0.32	0.43	0.48	0.53	0.69	0.80	1.0	1.5	2.0
DHC 3-1	3.0	65	49	43	41	30	26	20	14	10
DHC 3-2	2.5	54	40	35	34	25	21	17	11	9
	3.3	71	53	47	45	33	28	22	15	11
DHC 4-2	2.9	-	47	41	40	29	25	20	13	10
	3.8	-	61	54	52	38	33	26	17	13
DHC 4-3	4.5	-	73	64	61	45	39	31	20	15
DHC 5-2	3.6	-	58	51	49	36	31	25	16	12
	4.8	-	77	68	65	48	41	33	22	16
DHC 6-2	4.5	-	-	64	61	45	39	31	20	15
	6.0	-	-	85	82	60	52	41	27	20
DHC 6-3	6.0	-	-	85	82	60	52	41	27	20
DHC 8-2	5.4	-	-	-	-	54	46	37	25	18
	7.2	-	-	-	-	71	62	49	33	25
DHC 9-3	9.0	-	-	-	-	77	58	41	31	
DHC 10-2	7.2	-	-	-	-	62	49	33	25	
	9.6	-	-	-	-	82	65	44	33	

Flujo de agua mínimo para activar la unidad.

Tipo	kW	°C								
		L/min								
		1.2	1.6	1.8	2.0	2.6	3.0	4.0	5.0	7.5
DHC 3-1	3.0	36	27	24	22	17	14	11	9	6
DHC 3-2	2.5	30	22	20	18	14	12	9	7	5
	3.3	39	30	26	24	18	16	12	9	6
DHC 4-2	2.9	-	26	23	21	16	14	10	8	6
	3.8	-	34	30	27	21	18	14	11	7
DHC 4-3	4.5	-	40	36	32	25	22	16	13	9
DHC 5-2	3.6	-	32	29	26	20	17	13	10	7
	4.8	-	43	38	34	26	23	17	14	9
DHC 6-2	4.5	-	-	36	32	25	22	16	13	9
	6.0	-	-	48	43	33	29	22	17	11
DHC 6-3	6.0	-	-	48	43	33	29	22	17	11
DHC 8-2	5.4	-	-	-	-	30	26	19	15	10
	7.2	-	-	-	-	40	34	26	21	14
DHC 9-3	9.0	-	-	-	-	43	32	26	17	
DHC 10-2	7.2	-	-	-	-	34	26	21	14	
	9.6	-	-	-	-	46	34	28	18	

Flujo de agua mínimo para activar la unidad.

INSTALACIÓN

DATOS TÉCNICOS

11.4 Tabla de especificaciones

	DHC 3-1 Classic	DHC 3-2 Classic		DHC 4-2 Classic		DHC 4-3 Classic	DHC 5-2 Classic	
	202646	202647		202648		202649	202650	
Especificaciones eléctricas								
Voltaje	120 V	208 V	240 V	208 V	240 V	277 V	208 V	240 V
Potencia de funcionamiento	3.0 kW	2.5 kW	3.3 kW	2.9 kW	3.8 kW	4.5 kW	3.6 kW	4.8 kW
Corriente nominal Amps	25 A	12 A	14 A	14 A	16 A	17 A	18 A	20 A
Tamaño Mínimo Requerido del Interruptor Auto. „Breaker“ ¹	25 A	15 A	15 A	15 A	20 A	20 A	20 A	20 A
Tamaño de cable requerido ²	10 AWG	14 AWG		14 AWG	12 AWG	12 AWG	12 AWG	
Conexión eléctrico	1/N/GND	2/GND		2/GND		1/N/GND	2/GND	
Conexiones								
Conexión para agua ³	1/2 pulg. NPT							
Cantidad total de alcalinotérreos	2.5 mol/m ³							
Dureza general (H ₂ O)	14 Grado d							
Rango de dureza	2 (moderadamente dura)							
Datos del sistema hidráulico								
Contenido nominal	0.13 gal (0.5 l)							
Valores								
Temperatura de admisión máxima admisible	86 °F (30 °C)							
Encendido (ON)	0.32 gpm (1.2 l/min)	0.32 gpm (1.2 l/min)		0.43 gpm (1.6 l/min)		0.43 gpm (1.6 l/min)	0.43 gpm (1.6 l/min)	
Caída de presión al caudal	3.33 psi (0.023 MPa)	3.33 psi (0.023 MPa)		3.33 psi (0.023 MPa)		3.33 psi (0.023 MPa)	3.33 psi (0.023 MPa)	
Pérdida de carga para caudal volumétrico	0.32 gpm (1.2 l/min)	0.32 gpm (1.2 l/min)		0.43 gpm (1.6 l/min)		0.43 gpm (1.6 l/min)	0.43 gpm (1.6 l/min)	
Límites de utilización								
Presión máxima admisible	150 psi (1 MPa)							
Presión de prueba	300 psi (2 MPa)							
Modelos								
Material del depósito a presión	Cobre							
Sistema de calefacción	Radiador de tubos							
Cubierta y pared trasera	Plástico							
Color	Blanco							
Dimensiones								
Altura	14 ³ / ₁₆ pulg. (360 mm)							
Anchura	7 ¹⁵ / ₁₆ pulg. (202 mm)							
Profundidad	3 ⁷ / ₈ pulg. (98 mm)							
Pesos								
Peso	5.5 lb (2.5 kg)	4.6 lb (2.1 kg)		4.6 lb (2.1 kg)		4.6 lb (2.1 kg)	4.6 lb (2.1 kg)	

Modelos DHC 3-1, 3-2, 4-2 Classic se suministran con una presión de 0.5 gpm (1.9 l/min) compensar reductor de flujo / aireador que se debe instalar.

¹ Esta es nuestra recomendación por sobre la protección actual de tamaño al 100% de la carga. (2P para 240/208/277 V & 1P para 120 V modelos).

Los calentadores sin tanque eléctricos son considerados una carga no continua. Se recomiendan interruptores de circuito de falla a tierra (GFCI) de clase A. Compruebe normativa local si es necesario.

² Debe usarse cobre. Los conductores deben ser dimensionados para mantener una caída de tensión de menos del 3 % en situación de carga.

³ Los equipos están apropiados solo para ser alimentados con agua fría.

INSTALACIÓN

DATOS TÉCNICOS

	DHC 6-2 Classic		DHC 6-3 Classic	DHC 8-2 Classic		DHC 9-3 Classic	DHC 10-2 Classic	
	202651		202652	202653		202654	202655	
Especificaciones eléctricas								
Voltaje	208 V	240 V	277 V	208 V	240 V	277 V	208 V	240 V
Potencia de funcionamiento	4.5 kW	6.0 kW	6.0 kW	5.4 kW	7.2 kW	9.0 kW	7.2 kW	9.6 kW
Corriente nominal Amps	22 A	25 A	21.7 A	26 A	30 A	32.5 A	35 A	40 A
Tamaño mínimo requerido del interruptor auto. „Breaker“ ¹	25 A	25 A	25 A	30 A	30 A	35 A	35 A	40 A
Tamaño de cable requerido ²	10 AWG		10 AWG	10 AWG		8 AWG	8 AWG	
Conexión eléctrico	2/GND		1/N/GND	2/GND		1/N/GND	2/GND	
Conexiones								
Conexión para agua ³	1/2" NPT							
Cantidad total de alcalinotérreos	2.5 mol/m ³							
Dureza general (H ₂ O)	14 Grado d							
Rango de dureza	2 (moderadamente dura)							
Datos del sistema hidráulico								
Contenido nominal	0.13 gal (0.5 l)							
Valores								
Temperatura de admisión máxima admisible	86 °F (30 °C)							
Encendido (ON)	0.48 gpm (1.8 l/min)		0.48 gpm (1.8 l/min)	0.69 gpm (2.6 l/min)		0.8 gpm (3.0 l/min)	0.8 gpm (3.0 l/min)	
Caída de presión al caudal	3.33 psi (0.023 MPa)		3.33 psi (0.022 MPa)	3.63 psi (0.025 MPa)		4.35 psi (0.03 MPa)	4.35 psi (0.03 MPa)	
Pérdida de carga para caudal volumétrico	0.48 gpm (1.8 l/min)		0.48 gpm (1.8 l/min)	0.69 gpm (2.6 l/min)		0.8 gpm (3.0 l/min)	0.8 gpm (3.0 l/min)	
Límites de utilización								
Presión máxima admisible	150 psi (1 MPa)							
Presión de prueba	300 psi (2 MPa)							
Modelos								
Material del depósito a presión	Cobre							
Sistema de calefacción	Calentador tubular							
Cubierta y pared trasera	Plástico							
Color	Blanco							
Dimensiones								
Altura	14 ³ / ₁₆ pulg. (360 mm)							
Anchura	7 ¹⁵ / ₁₆ pulg. (202 mm)							
Profundidad	3 ⁷ / ₈ pulg. (98 mm)							
Pesos								
Peso	5.5 lb (2.5 kg)							

- ¹ Esta es nuestra recomendación por sobre la protección actual de tamaño al 100% de la carga. (2P para 240/208/277 V & 1P para 120 V modelos). Los calentadores sin tanque eléctricos son considerados una carga no continua. Se recomiendan interruptores de circuito de falla a tierra (GFCI) de clase A. Compruebe normativa local si es necesario.
- ² Debe usarse cobre. Los conductores deben ser dimensionados para mantener una caída de tensión de menos del 3 % en situación de carga.
- ³ Los equipos están apropiados solo para ser alimentados con agua fría.

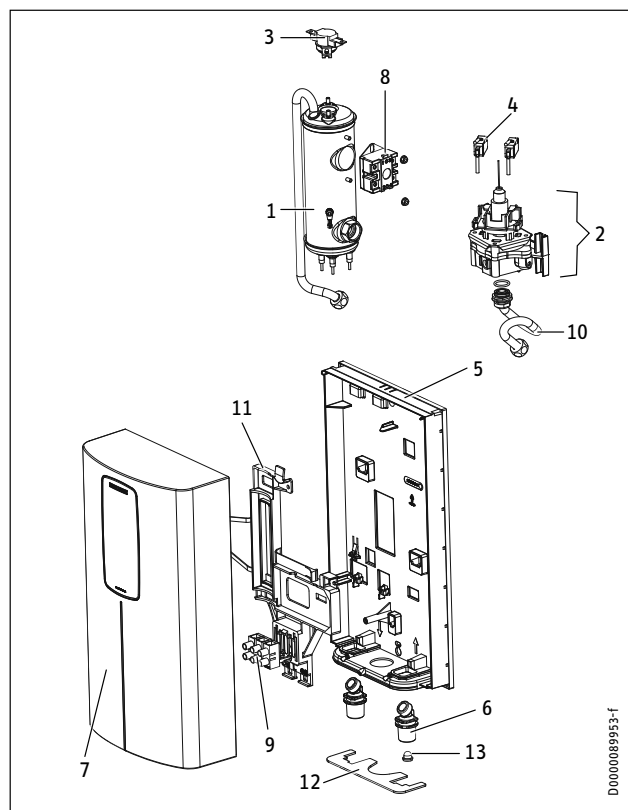
INSTALACIÓN

PIEZAS DE RECAMBIO

12. Piezas de recambio

No.	Pieza de recambio	DHC 3-1 Classic	DHC 3-2 Classic	DHC 4-2 Classic	DHC 4-3 Classic	DHC 5-2 Classic
1	Sistema de calentamiento	165889	167769	167770	165890	167771
2	Interruptor de flujo	165273	165273	162162	162162	162162
3	Termostato	162472	162472	162472	162472	162472
4	Interruptor	168026	168026	168026	168026	168026
5	Caja exterior (parte trasera)	326968	326968	326968	326968	326968
6	Conexiones de tubería	326589	326589	326589	326589	326589
7	Caja exterior (parte frontal)	326965	326965	326965	326965	326965
8	Interruptor de seguridad (temperatura)	162474	162474	162474	162474	162474
9	Bloque de alambrado	026010	026010	026010	026010	026010
10	Tubo de cobre	162314	162314	162314	162314	162314
11	Armazón interior	342052	342052	342052	342052	342052
12	Hoja de bloqueo	326234	326234	326234	326234	326234
13	Filtro	275981	275981	275981	275981	275981

No.	Pieza de recambio	DHC 6-2 Classic	DHC 6-3 Classic	DHC 8-2 Classic	DHC 9-3 Classic	DHC 10-2 Classic
1	Sistema de calentamiento	171117	342051	167772	296874	167773
2	Interruptor de flujo	171105	171105	162164	162165	162165
3	Termostato	162472	162472	162472	162472	162472
4	Interruptor	168026	168026	168026	168026	168026
5	Caja exterior (parte trasera)	326968	326968	326968	326968	326968
6	Conexiones de tubería	326589	326589	326589	326589	326589
7	Caja exterior (parte frontal)	326965	326965	326965	326965	326965
8	Interruptor de seguridad (temperatura)	162474	162474	162474	162474	162474
9	Bloque de alambrado	026010	026010	026010	026010	026010
10	Tubo de cobre	162314	162314	162314	162314	162314
11	Armazón interior	342052	342052	342052	342052	342052
12	Hoja de bloqueo	326234	326234	326234	326234	326234
13	Filtro	275981	275981	275981	275981	275981



13. Garantía

Sujeto a los términos y condiciones expresados en esta Garantía Limitada de por vida, Stiebel Eltron, Inc. (el “Fabricante”) por la presente asegura al comprador original (el “Propietario”) que cada calentador de agua eléctrico de calor sin tanque (el “Calentador”) no deberá (i) tener fugas debido a defectos en los materiales del fabricante o mano de obra por un período de siete (7) años desde la fecha de compra o (ii) falla debido a defectos en los materiales o mano de obra del fabricante por un período de tres (3) años a partir de la fecha de compra. Como única y exclusiva solución para el Propietario en cuanto a la presente garantía, el Fabricante, a discreción del Fabricante, reparará en fábrica o reemplazará el Calentador defectuoso con una unidad o repuesto de reemplazo con características de funcionamiento comparables. La máxima responsabilidad del Fabricante en cualquier circunstancia se limitará al precio de compra del Calentador que pagó el Propietario.

Esta garantía limitada será la garantía exclusiva que el Fabricante otorga, y reemplaza todas las demás garantías, expresas o implícitas, escritas u orales, que incluyen pero no se limitan a las garantías de comerciabilidad o adecuación para un fin determinado. El Fabricante no será responsable de daños incidentales, indirectos o contingentes o gastos que surjan, de manera directa o indirecta, de cualquier defecto del Calentador o del uso del mismo. El Fabricante no será responsable por daños ocasionados por el agua o cualquier otro daño a la propiedad del Propietario que surja, de manera directa o indirecta, de cualquier defecto del Calentador o del uso del mismo. Solo el Fabricante está autorizado a conceder todas las garantías en representación del Fabricante, y ninguna declaración o garantía realizada por cualquier otra parte será vinculante para el Fabricante.

El Fabricante no será responsable de ningún daño relacionado o causado por:

1. cualquier uso indebido o falta de cuidado del Calentador, cualquier accidente que afecte al Calentador, cualquier alteración al Calentador, o cualquier otro uso incorrecto;
2. casos fortuitos o circunstancias sobre las cuales el Fabricante no tiene control;
3. instalación del Calentador que se desvíe de las directivas del Fabricante o no observe los códigos de

- construcción pertinentes;
4. negligencia en cuanto a mantener el Calentador u operar el Calentador según las especificaciones del Fabricante;
5. hacer funcionar el Calentador en condiciones de presión de agua fluctuante o en caso de que el Calentador se alimente de agua no potable durante un período de cualquier duración;
6. instalación defectuosa y/o uso de materiales inapropiados por parte de cualquier instalador y que no se relacione con defectos en los repuestos o la mano de obra del Fabricante;
7. mover el Calentador de su lugar original de instalación;
8. exposición a condiciones de congelamiento;
9. los problemas de calidad del agua, como el agua corrosiva, el agua dura y agua contaminada con contaminantes o aditivos;

Si el Propietario desea devolver el Calentador al Fabricante para su reparación o reemplazo bajo esta garantía, el Propietario debe obtener primero la autorización por escrito del Fabricante. El Propietario deberá presentar una prueba de compra, incluida la fecha de compra, y será responsable de los costos de desinstalación y transporte. Si el Propietario no puede demostrar una fecha de compra, esta garantía se limitará al período que comienza a partir de la fecha de compra impresa en el Calentador. El Fabricante se reserva el derecho de negar la cobertura de esta garantía después de examinar el Calentador. Esta garantía se limita al Propietario y es intransferible.

Algunos Estados y Provincias no permiten la exclusión o limitación de ciertas Garantías. En dichos casos, las limitaciones aquí expresadas pueden no aplicarse al Propietario. En dichos casos esta Garantía se limitará al período más corto y las menores cifras de daños permitidas por ley. Esta Garantía le da derechos legales específicos y puede que usted tenga otros derechos que variarán de Estado a Estado y de Provincia a Provincia.

El Propietario será responsable de todos los costos de mano de obra y otros cargos incurridos al retirar o reparar el Calentador en el lugar de instalación. Por favor obsérvese que el Calentador debe instalarse de tal manera que, en caso de pérdida, el flujo de agua de la pérdida no dañe el lugar en que está instalado.



La compañía no acepta responsabilidad alguna por la falla de cualquier artículo suministrado que no haya sido instalado y operado de acuerdo con las instrucciones del fabricante.



La instalación, conexión eléctrica y primera operación de este artefacto debe ser realizada por un instalador calificado.

Medioambiente y reciclaje

Por favor ayúdenos a proteger el medioambiente eliminando el embalaje en concordancia con la normativa nacional para el tratamiento de residuos.

Esta Garantía solo es válida en Estados Unidos y Canadá. Las garantías pueden variar de un país a otro. Consulte a su representante de Stiebel Eltron local para conocer la Garantía correspondiente a su país.

INFORMATIONS SPÉCIALES

UTILISATION

1. Remarques générales	31
1.1 Informations relatives à la sécurité	31
1.2 Autres repérages utilisés dans ce document	31
2. Sécurité	31
2.1 Utilisation conforme	31
2.2 Informations générales	31
2.3 Précautions de sécurité	32
2.4 Label de conformité	32
3. Inscrivez votre produit	32
4. Général	33

INSTALLATION

5. Montage de l'appareil	33
6. Raccordements d'eau	34
6.1 Installation de l'aérateur au robinet connecté	34
7. Raccordement électrique	35
7.1 Connexion électrique des DHC 3-2 et DHC 4-2 à 208 V	35
7.2 Bloc de câblage	35
8. Mise en œuvre du chauffe-eau	36
9. Dépannage	37
10. Maintenance normale	38
11. Caractéristiques techniques	39
11.1 Plan de cotes	39
11.2 Schémas de câblage	39
11.3 Élévation de température au delà de la température ambiante de l'eau	40
11.4 Tableau de données	41
12. Pièces de rechange	43
13. Garantie	44

INFORMATIONS SPÉCIALES

- Lisez l'intégralité de ce manuel. Le non-respect de tous les guides, instructions et règles peut entraîner des blessures ou des dommages matériels. Une installation, un réglage, une modification, un entretien et une utilisation incorrects de cet appareil peuvent entraîner des blessures graves.
- Cet appareil doit être installé par un électricien agréé et un plombier. L'installation doit être conforme à tous les codes nationaux, provinciaux et locaux de plomberie et d'électricité. Une installation correcte est la responsabilité de l'installateur. Le non-respect des instructions d'installation et d'utilisation ou une mauvaise utilisation annule la garantie.
- Conservez ces instructions pour référence future. L'installateur doit laisser ces instructions au consommateur.
- Si vous avez des questions concernant l'installation, l'utilisation ou le fonctionnement de ce chauffe-eau, ou si vous avez besoin de manuels d'installation supplémentaires, veuillez appeler notre service technique au 800.582.8423 (États-Unis et Canada uniquement). Si vous appelez de l'extérieur des États-Unis ou du Canada, veuillez appeler les États-Unis au 413.247.3380 et nous vous dirigerons vers un représentant de service Stiebel Eltron qualifié dans votre région.
- Le chauffe-eau peut être utilisé par des enfants âgés de 3 ans et plus et des personnes ayant des capacités physiques, sensorielles ou mentales réduites ou un manque d'expérience et de savoir-faire, à condition qu'ils soient supervisés ou qu'ils aient reçu des instructions sur la façon d'utiliser le chauffe-eau en toute sécurité et ont compris les risques potentiels. Les enfants ne doivent jamais jouer avec le chauffe-eau. Les enfants ne doivent jamais nettoyer le chauffe-eau ou effectuer l'entretien de l'utilisateur à moins qu'ils ne soient surveillés.
- Assurez-vous que le chauffe-eau peut être séparé de l'alimentation électrique par un disjoncteur qui déconnecte tous les pôles avec une séparation de contact d'au moins 3 mm (1/8 po.).
- La tension spécifiée doit correspondre à l'alimentation. Voir la plaque signalétique sur le côté droit du chauffe-eau pour plus d'informations.
- Le chauffe-eau doit être correctement mis à la terre. Voir section 11.2, «Schémas de câblage», pg. 39.
- Le chauffe-eau doit être connecté en permanence à un câblage fixe. Pour utilisation sur un circuit de dérivation individuel uniquement. Voir section 11.2, «Schémas de câblage», pg. 39.
- Fixez le chauffe-eau comme décrit dans la section 55, "Montage de l'appareil", pg. 33.
- Respectez la pression maximale admissible (Voir section 11.4, «Tableau de données», pg. 41).

UTILISATION

1. Remarques générales



Remarque:

Lisez attentivement cette notice avant d'utiliser l'appareil et familiarisez-vous avec ses fonctions. Conservez la notice dans un endroit sûr. Remettez cette notice au nouvel utilisateur le cas échéant.

1.1 Informations relatives à la sécurité

1.1.1 Structure des consignes de sécurité



MOT-CLÉ: Nature du danger
Ici s'affichent les conséquences possibles de la non-observation des prescriptions de sécurité.
► Les mesures permettant d'éviter ces dangers sont également indiquées.

1.1.2 Symboles, nature du danger

Symbole	Nature du danger
	Blessure
	Électrocution
	Brûlures ou ébouillancements

1.1.3 Mots-clés

MOT-CLÉ	Description
DANGER	La non-observation de ces informations entraîne des blessures graves, voire la mort.
AVERTISSEMENT	La non-observation de ces informations peut entraîner des blessures graves, voire la mort.
ATTENTION	La non-observation de ces informations peut entraîner des blessures moyennement graves ou légères.

1.2 Autres repérages utilisés dans ce document



Remarque:

Les remarques sont délimitées par des lignes horizontales au-dessus et en dessous du texte. Les remarques d'ordre général sont caractérisées par le symbole représenté ici à gauche.

► Lisez attentivement ces remarques.

Symbole	Description
	Domages sur l'appareil et sur l'environnement
	Recyclage de l'appareil

► Ce symbole indique ce que vous devez faire. Ce que vous devez faire est décrit étape par étape.

2. Sécurité

Respectez les consignes suivantes et les prescriptions de sécurité.

N'utilisez cet appareil que s'il est complètement installé et doté de tous les dispositifs de sécurité.

2.1 Utilisation conforme

L'appareil est destiné au chauffage de l'eau sanitaire et peut un point de soutirage.

Toute utilisation dépassant ces spécifications est considérée comme non conforme.

Le respect de la présente notice faite également partie de l'utilisation conforme de cet appareil.

2.2 Informations générales

L'appareil est destiné à une utilisation domestique. Il peut être utilisé par des personnes qui ne disposent pas de connaissances techniques particulières. L'appareil peut également être utilisé dans un environnement non domestique, p. ex. dans des petites entreprises, à condition que son utilisation soit du même ordre.

Lisez la notice en sa totalité. La non-observation de toutes les directives, notices et réglementations peut entraîner des blessures corporelles et/ou des dégâts matériels. Une installation, un paramétrage, une modification ou une maintenance effectuée de manière incorrecte sur cet appareil peut entraîner des blessures très importantes.

Cet appareil doit être installé par un installateur agréé. L'installation doit satisfaire à toutes les prescriptions nationales, régionales et locales. L'installateur est responsable de la réalisation correcte de l'installation. La non-observation de la notice d'installation et d'emploi ou toute installation non-conforme invalide la garantie.

Conservez la présente notice pour consultation ultérieure. L'installateur doit remettre cette notice à l'utilisateur.

INSTALLATION

INSCRIVEZ VOTRE PRODUIT

En cas de questions à propos de l'installation, de l'utilisation et de l'exploitation de ce préparateur d'eau chaude sanitaire, ou bien si vous avez besoin de manuels d'installation supplémentaires, merci de contacter le numéro de téléphone de l'assistance technique (voir la dernière page).

2.3 Précautions de sécurité



AVERTISSEMENT: Risque de blessure
Lisez et respectez les instructions suivantes.
La désobéissance à ces informations peut entraîner des blessures graves, voire mortelles.



Domages sur l'appareil et sur l'environnement:
L'appareil doit être installé par un installateur agréé. L'installation doit satisfaire à toutes les prescriptions nationales, régionales et locales.
La maintenance de l'appareil doit être effectuée par un installateur qualifié.



DANGER: Électrocution
Avant d'effectuer toute installation, réglage, modification ou maintenance de cet appareil, tous les interrupteurs et sectionneurs de l'alimentation électrique de l'appareil doivent être déconnectés. Le non-respect de ces indications peut entraîner des blessures graves, voire mortelles.



DANGER: Électrocution
L'appareil doit être correctement mis à la terre. Si le produit n'est pas mis à la terre, des blessures graves voire mortelles peuvent en résulter.



DANGER: Brûlures
Les températures de l'eau dépassant 125 ° F (52 ° C) peuvent provoquer de graves brûlures soudaines ou même des brûlures. Le danger d'échaudure à l'eau chaude existe si le thermostat de l'appareil est trop élevé. Dans les maisons avec de jeunes enfants, des personnes handicapées ou des personnes âgées, il peut être nécessaire d'ajuster le thermostat à 113 ° F (45 ° C) ou moins pour éviter les blessures physiques causées par l'eau chaude.



AVERTISSEMENT: Risque de blessure
L'appareil peut être utilisé par des enfants à partir de 8 ans, ainsi que des personnes ayant des capacités physiques, sensorielles ou mentales limitées, ou un manque d'expérience et de connaissances, uniquement sous la supervision d'une autre personne ou s'ils ont déjà reçu des instructions sur une utilisation sûre de l'appareil et ont compris les dangers qui peuvent survenir. Ne laissez pas les enfants jouer avec l'appareil. Les tâches de nettoyage et d'entretien de l'utilisateur ne doivent pas être effectuées par des enfants sans surveillance.

2.4 Label de conformité

- UL (États-Unis) Norme 499
- CSA (Canada) Norme E335-1/3E, et CSA E60335-2-35

3. Inscrivez votre produit



Remarque:
Vous devez inscrire votre produit dans les 90 jours qui suivent la date d'achat sur notre site internet pour activer la garantie normale ou pour pouvoir réclamer la garantie prolongée. Rendez-vous à notre site internet à l'adresse suivante : www.stiebel-eltron-usa.com et cliquez sur « Register Your Product » (inscrivez votre produit).

Avant de lancer le processus d'inscription, nous vous conseillons d'avoir à portée de main la documentation nécessaire, à savoir :

Modèle, Exemple : DHC Classic

Numéro apparaissant après « Nr, » (N°)

Lieu d'achat

Date d'achat

Prénom et nom de famille

Adresse courriel

Adresse postale

Numéro de téléphone

Date d'installation

En cas de questions à propos du processus d'inscription ou des options pour la garantie, veuillez contacter Stiebel Eltron USA directement en composant le (800) 582-8423.

4. Général

Le chauffe-eau DHC Classic sans accumulateur diffère à plusieurs égards des chauffe-eau conventionnels à ballon d'eau chaude. Il ne stocke pas d'eau chaude. En fait, l'eau est chauffée instantanément lorsqu'elle passe dans l'appareil. Les puissants éléments chauffants sont activés par un commutateur de débit lorsque l'eau est tirée d'un robinet d'eau chaude relié au DHC Classic. Comme il n'y a pas de perte due à la réserve d'eau, le DHC Classic a une plus grande efficacité énergétique que les chauffe-eau à accumulation.

La température de l'eau chaude fournie par le DHC Classic dépend de la puissance de l'élément chauffant, de la température de l'eau froide d'arrivée et du débit de l'eau à travers l'appareil. Afin que le DHC Classic fonctionne correctement, il doit répondre exactement à son application.

Au cas où vous auriez des questions sur la manière dont vous prévoyez d'utiliser le DHC Classic, n'hésitez pas à appeler notre service technique au n° 800-582-8423 (USA et Canada). Pour le service après-vente dans les autres pays, appelez nous au n° 413-247-3380 aux USA, vous pouvez aussi nous envoyer un e-mail à l'adresse info@stiebel-eltron-usa.com ou nous envoyer un fax au n° suivant: 413-247-3369.

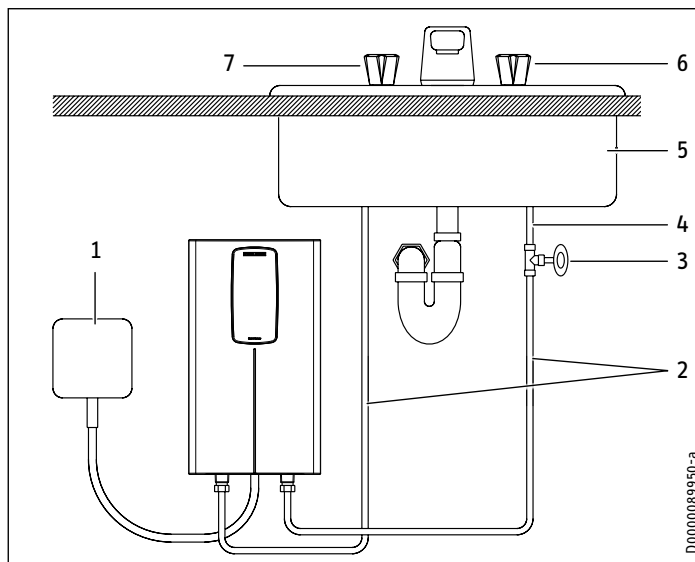
Le DHC Classic peut être utilisé pour se laver les mains, aux USA et au Canada:

- Lavabos dans les toilettes de locaux commerciaux / industriels et d'habitations
- Cuisines dans les locaux commerciaux / industriels et les habitations
- Usages spéciaux dans les magasins de développement de photos, les laboratoires, etc.

Le DHC Classic peut aussi être utilisé pour des appartements entiers et des habitations dans des zones à climat chaud comme dans la région des caraïbes, l'Amérique Centrale et le Mexique en raison des températures d'eau ambiante plus élevées.

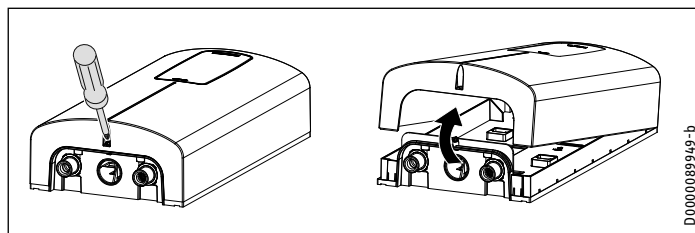
INSTALLATION

5. Montage de l'appareil



- 1 Boîte de raccordement électrique
- 2 Conduite d'alimentation en eau 1/2 po. pour installation à robinet
- 3 Vanne de fermeture
- 4 Alimentation en eau froide
- 5 Évier
- 6 Robinet d'eau (droit)
- 7 Robinet d'eau (gauche)

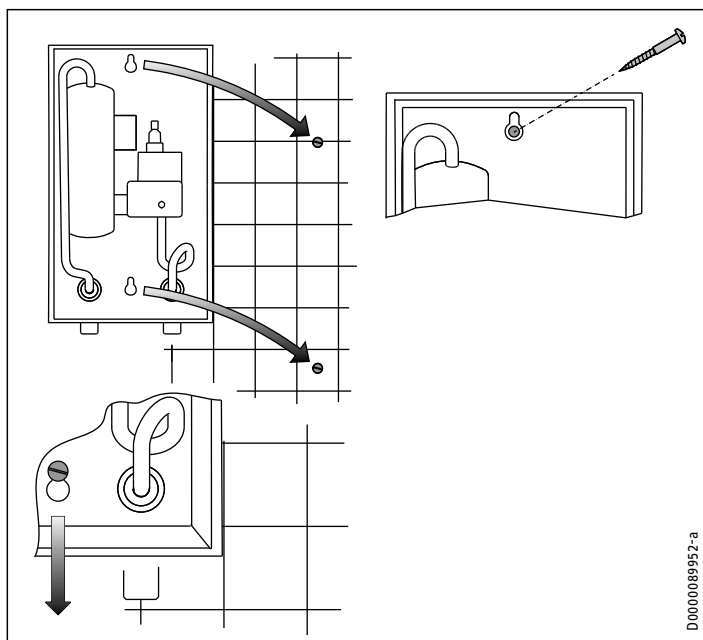
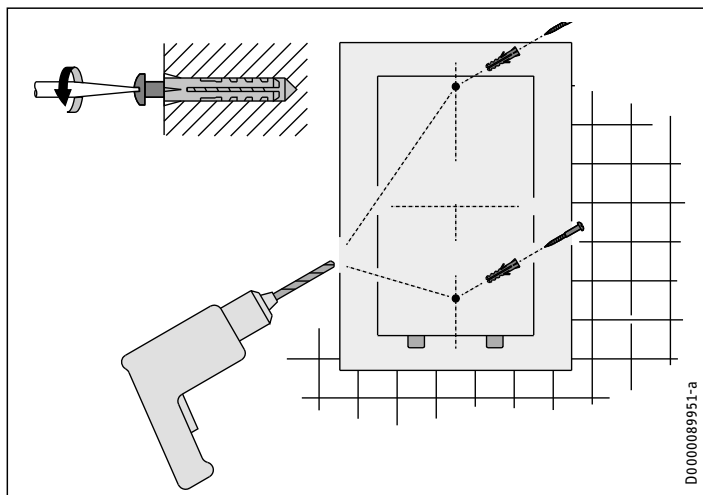
1. Installer le DHC Classic aussi près que possible du point de tirage d'eau chaude, par exemple directement en dessous de l'évier.
2. Installer le DHC Classic dans une zone non exposée au gel. En cas de risque de gel, enlever l'appareil avant l'apparition des températures négatives.
3. Laisser un minimum de 127 mm (5 po.) d'espace libre sur tous les côtés pour la maintenance.
4. Retirez le couvercle en plastique en dévissant la vis en bas. Soulevez le couvercle du bas. Lors du remplacement, insérez d'abord le haut du couvercle dans le boîtier arrière, puis inclinez le bas en place. Resserrez la vis du couvercle.



INSTALLATION

RACCORDEMENTS D'EAU

5. Fixer solidement l'appareil en faisant coulisser les trous de montage sur les deux vis préalablement fixées au mur. Les vis et les chevilles en plastique pour montage sur cloison sèche ou bois sont fournies.



6. Raccordements d'eau

! **NOTE:**
Une chaleur excessive de soudage sur les tuyaux de cuivre à proximité du DHC Classic peut causer des dégâts. Le raccordement d'eau froide à l'unité doit être déconnecté périodiquement afin de nettoyer le tamis du filtre. Il est nécessaire d'utiliser des raccords d'eau facilement détachables tels que des connecteurs flexibles en acier tressé.

! **NOTE:**
L'eau dure ou l'eau avec un nombre élevé de minéraux peut endommager l'appareil. Les dommages causés à l'unité par du tartre ou un nombre élevé de minéraux ne sont pas couverts par la garantie.

1. Tout le travail de plomberie doit répondre aux normes de plomberie nationales et locales applicables.
2. Une vanne de réduction de pression doit être installée si la pression d'alimentation d'eau froide dépasse 10 bar (150 psi).
3. Assurez-vous que la conduite d'alimentation d'eau froide a été purgée pour enlever tout dépôt ou saleté.
4. Installer une vanne d'isolation dans la conduite d'eau froide comme le montre l'illustration. Cela permet à l'appareil d'être isolé pour des opérations de maintenance.
5. Le raccordement d'eau froide (entrée) est situé du côté droit de l'appareil, le raccordement d'eau chaude (sortie) est situé du côté gauche de l'appareil.
6. Les chauffe-eau sans accumulateur tels que le DHC Classic n'ont pas besoin d'être équipés d'une vanne de décharge de température et de pression. Si l'inspecteur local n'agrée pas l'installation sans cette vanne, la vanne devra être installée du côté de la sortie d'eau chaude de l'appareil.
7. La sortie d'eau chaude du DHC Classic est conçue pour être connectée à des tubes en cuivre, PEX ou à un tuyau en acier inoxydable tressé avec un filetage conique femelle 1 / 2 po. NPT.
8. La plomberie côté entrée d'eau froide doit être telle qu'elle puisse être facilement retirée pour permettre l'accès au tamis du filtre d'entrée. La façon la plus simple d'y parvenir est d'utiliser un raccord de tuyau tressé en acier inoxydable. Si une soudure à proximité de l'unité est nécessaire, veuillez diriger la flamme loin du boîtier de l'unité afin d'éviter tout dommage.
9. Lorsque tout le travail de plomberie est terminé, chercher les fuites et prendre une action corrective avant d'aller plus loin.

6.1 Installation de l'aérateur au robinet connecté

Les modèles DHC 3-1, 3-2 et 4-2 Classic sont livrés avec un réducteur / aérateur à compensation de pression de 0,5 gpm qui doit être installé sur le robinet auquel le chauffe-eau est connecté. Le fait de ne pas installer l'aérateur peut entraîner une température de l'eau inférieure à celle souhaitée.

INSTALLATION

RACCORDEMENT ÉLECTRIQUE

7. Raccordement électrique



DANGER: Électrocution

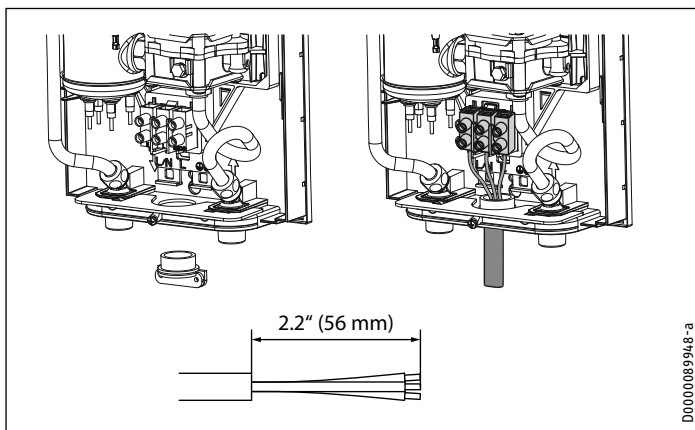
Avant toute intervention sur l'installation électrique, vérifiez que les interrupteurs du panneau de disjoncteurs principaux sont sur « arrêt » afin de prévenir tout risque d'électrocution. Tous les travaux de montage et de plomberie doivent être achevés avant de procéder au branchement électrique. Les circuits doivent être équipés d'un interrupteur différentiel si les réglementations nationales, régionales ou locales en matière d'installation électrique l'exigent. Comme avec tout appareil électrique, des défauts de mise à la terre électriques peuvent entraîner des lésions graves ou mortelles.



WARNING Électrocution

La connexion à l'alimentation électrique n'est autorisée qu'en tant que connexion permanente avec une pince Romex 3 / 4". Assurez-vous que le chauffe-eau peut être séparé de l'alimentation électrique par un isolateur qui déconnecte tous les pôles avec une séparation de contact d'au moins 1 / 8" (3 mm).

1. Toutes les opérations électriques doivent répondre aux normes électriques nationales et locales applicables.
2. Le DHC Classic doit être relié à un circuit de branchement dédié, correctement mis à la terre et d'une tension adéquate. Dans les installations ayant plusieurs DHC Classic, chaque unité a besoin d'un circuit indépendant. Se référer au tableau de caractéristiques techniques pour la bonne taille des câbles et du coupe-circuit.
3. Un collier Romex 3/4 po. (requis, non fourni) doit être installé dans l'ouverture située entre les connexions d'eau chaude et froide. Les fils doivent être acheminés à travers la pince Romex, qui fournira également une décharge de traction appropriée. Les fils « sous tension » doivent être connectés aux emplacements du bornier marqués N et L (DHC 3-1, 4-3, 6-3, 9-3 Classic uniquement) ou L et L (toutes les autres versions). Le fil de terre doit être connecté à la fente marquée du symbole de terre.

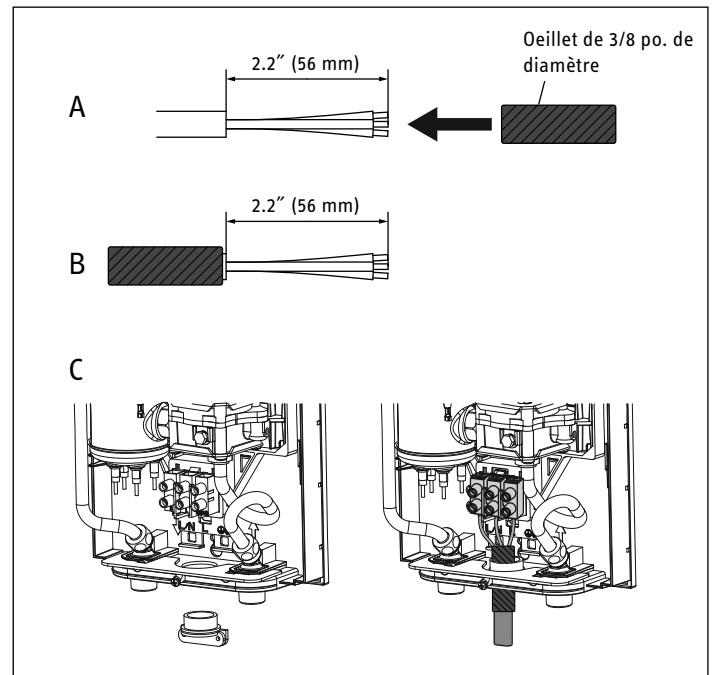


4. Réinstallez le couvercle en plastique. Lors de la réinstallation, insérez d'abord le haut du couvercle dans le boîtier arrière, puis inclinez le bas en place. Resserrez la vis du couvercle.

7.1 Connexion électrique des DHC 3-2 et DHC 4-2 à 208 V

Un passe-fil en caoutchouc de 3/8 po. de diamètre est fourni dans le cadre de l'installation électrique requise avec les unités DHC 3-2 et DHC 4-2 Classic.

1. Lors de l'installation du DHC 3-2 Classic à 208 ou 240 V, ou du DHC 4-2 Classic à 208 V, faites d'abord passer le fil 14 AWG à travers l'œillet en caoutchouc fourni. Préparez les fils selon le schéma:



2. Un collier Romex 3 / 4" (requis, non fourni) doit être installé dans l'ouverture située entre les connexions d'eau chaude et froide. Le fil avec l'œillet en caoutchouc en place doit passer à travers la pince Romex. Les fils « sous tension » doivent être connectés aux fentes du bornier marquées L et L. Le fil de terre doit être connecté à la fente marquée du symbole de terre.
3. Réinstallez le couvercle en plastique. Lors de la réinstallation, insérez d'abord le haut du couvercle dans le boîtier arrière, puis inclinez le bas en place. Resserrez la vis du couvercle.

7.2 Bloc de câblage

Consultez le tableau ci-dessous pour connaître la pression de serrage recommandée pour les vis de la plaque à bornes.

Diamètre de vis (mm)	Torque (N•cm)	Torque (lbf•in)
M5	150-200	13.3-17.7

Utiliser la pression de serrage appropriée pour fixer les fils au bloc de câblage contribue à prévenir la perte de biens personnels et les dommages à la propriété.

8. Mise en œuvre du chauffe-eau

**AVERTISSEMENT:**

Ouvrez le robinet d'eau chaude pendant quelques minutes jusqu'à ce que le débit d'eau soit continu et que tout l'air soit purgé des conduites d'eau. Le capot de l'unité doit être installé avant d'activer les disjoncteurs.

1. Mettre le disjoncteur en position de "marche" pour amener l'électricité à l'appareil.
2. Ouvrir le robinet d'eau chaude à un degré tel que l'écoulement d'eau soit "typique" c'est-à-dire avant que l'écoulement d'eau soit le même que celui qu'on rencontre en utilisation normale.
3. Attendre vingt secondes jusqu'à ce que la température soit stabilisée. Ensuite, vérifier la température de l'eau. Si la température est trop basse, le débit d'eau doit être réduit. Pour ce faire, fermer le disjoncteur de l'appareil, enlever le cache et tourner la vis de réglage de débit, montrée dans l'illustration, d'un 1/2 tour (à 180 degrés) dans le sens horaire. Ensuite, réinstaller le cache en plastique, remettre le disjoncteur en position "marche" et vérifier la température de l'eau. Cette procédure doit être répétée jusqu'à ce que la température désirée soit atteinte. Au cas où la température de l'eau est trop élevée, tourner de la même manière la vis de réglage de débit dans le sens anti-horaire jusqu'à ce que la température désirée soit atteinte. Les flèches dans l'illustration se réfèrent à la température de l'eau.
4. Afin d'obtenir le contrôle de la température sur un robinet unique de type mitigeur, limiter le débit d'eau froide au robinet en fermant partiellement la vanne de fermeture d'eau froide sous l'évier jusqu'à ce que les débits d'eau froide et d'eau chaude soient approximativement les mêmes.

9. Dépannage

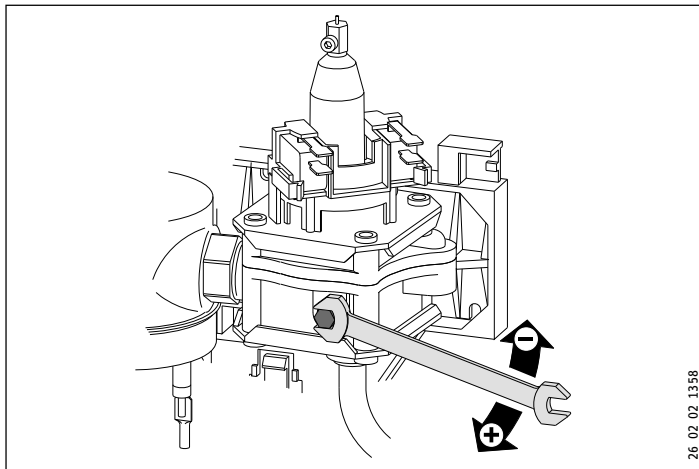
Symptôme	Cause possible	Solution
Pas d'eau chaude mais on entend un cliquetis quand l'eau est ouverte.	Disjoncteur fermé	Mettre le disjoncteur en marche.
	Le disjoncteur de sécurité s'est déclenché Le chauffe-eau peut être trop petit	Réarmer le disjoncteur. Voir section 11.3, «Élévation de température au delà de la température ambiante de l'eau», pg. 40
Pas d'eau chaude et on n'entend pas de cliquetis quand l'eau est ouverte	L'écoulement d'eau est trop bas pour activer le commutateur de débit	Nettoyer l'évent du robinet.
		Ouvrir complètement la vanne de fermeture. Ouvrir la vis de réglage de débit. Nettoyer le filtre sur l'appareil DHC.
L'eau n'est pas assez chaude	Écoulement d'eau trop haut	Réduire l'écoulement d'eau, fermer la vis de réglage de l'écoulement. Voir section 10, «Maintenance normale», pg. 38
	Tension trop basse	Fournir la tension correcte à l'appareil.

Si vous n'arrivez pas à résoudre un problème, contacter nous en appelant le numéro gratuit 800-582-8423 avant d'enlever l'appareil du mur. STIEBEL ELTRON est heureuse de vous fournir son assistance technique. Dans la plupart des cas, il s'agit d'un problème que nous pouvons résoudre par téléphone.

Réglage du débit

Pour abaisser la température de l'eau ou augmenter le débit d'eau, ouvrez la vis de réglage du débit en tournant dans le sens antihoraire (-). Cela **diminue** la température de l'eau en augmentant le volume d'eau.

Pour augmenter la température de l'eau ou réduire le débit d'eau, fermez la vis de réglage du débit en tournant dans le sens des aiguilles d'une montre (+). Cela **augmente** la température de l'eau en diminuant le volume d'eau.

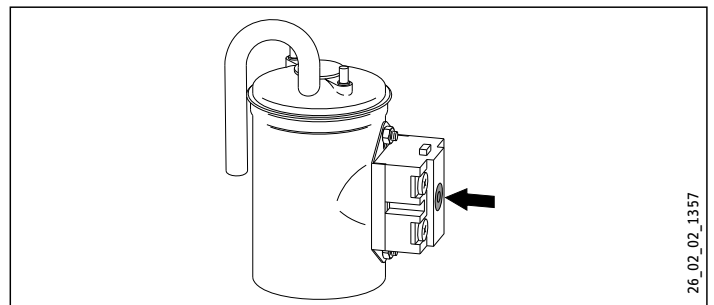


Bouton de réarmement du disjoncteur de sécurité



DANGER: Électrocution

N'essayez pas de réinitialiser l'interrupteur thermique de sécurité de ce chauffe-eau à moins que l'alimentation ait été complètement coupée au disjoncteur.



10. Maintenance normale



DANGER: Électrocution
Avant d'effectuer des travaux sur le chauffe-eau, assurez-vous que l'unité a été complètement déconnectée des disjoncteurs.



AVIS:
L'eau dure ou l'eau avec une teneur élevée en minéraux peut endommager l'appareil. Les dégâts causés par le tartre ou une teneur élevée en minéraux ne sont pas couverts par la garantie.



Remarque:
Mis à part le filtre, le DHC Classic ne contient aucune pièce nécessitant un entretien particulier. En cas de mauvais fonctionnement, contacter un plombier ou un électricien professionnel.

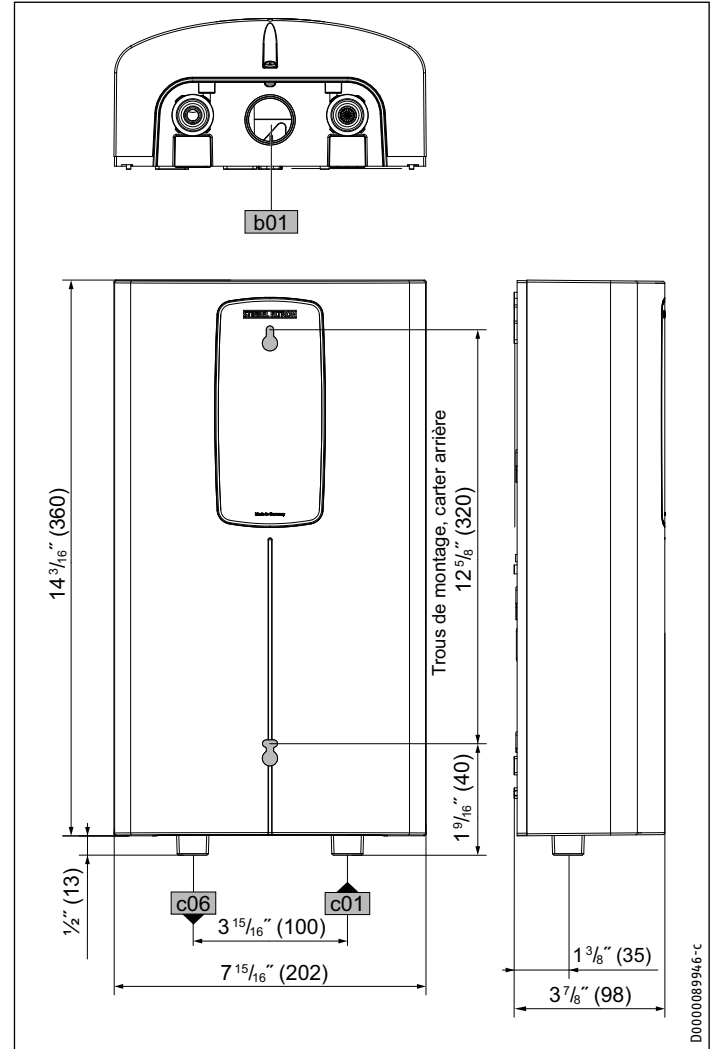
Les chauffe-eau DHC Classic de STIEBEL ELTRON sont conçus pour une très longue durée de vie. La durée de vie réelle escomptée va varier avec la qualité et l'utilisation de l'eau. Cependant, pour assurer un écoulement d'eau homogène, il est recommandé d'enlever périodiquement les dépôts et saletés qui peuvent se constituer sur l'évent du robinet ou dans la pomme de douche.

Le DHC Classic possède un filtre à sédiments intégré qui doit être nettoyé périodiquement:

- ▶ Coupez l'alimentation du chauffe-eau au niveau du disjoncteur.
- ▶ Coupez l'alimentation en eau du chauffe-eau au niveau de la vanne d'arrêt.
- ▶ Ouvrez un robinet d'eau chaude connecté pour relâcher la pression accumulée (cela minimisera les fuites lors du retrait du raccordement de l'entrée d'eau froide).
- ▶ Débranchez le connecteur flexible en acier tressé du raccord d'entrée d'eau froide (à droite).
- ▶ Pour retirer le tamis filtrant du bas de l'entrée d'eau froide, insérez soigneusement un tournevis à tête plate juste au-dessus de la lèvres en plastique du tamis filtrant et tirez doucement vers le bas.
- ▶ Nettoyez le tamis du filtre, réinsérez-le solidement dans le raccord d'entrée d'eau froide et reconnectez le connecteur flexible en acier tressé à l'entrée d'eau froide.
- ▶ Ouvrez la vanne d'arrêt d'alimentation en eau froide.
- ▶ Purgez l'air des tuyaux et du chauffe-eau en ouvrant le robinet d'eau chaude pendant quelques minutes, jusqu'à ce que le débit d'eau soit continu et que tout l'air soit purgé des tuyaux d'eau.
- ▶ Activez le disjoncteur pour alimenter l'unité en électricité.

11. Caractéristiques techniques

11.1 Plan de cotes



b01	Câble d'alimentation secteur	
c01	Raccord d'eau froide	1/2 po. NPT
c06	Raccord d'eau chaude sanitaire	1/2 po. NPT

INSTALLATION

CARACTÉRISTIQUES TECHNIQUES

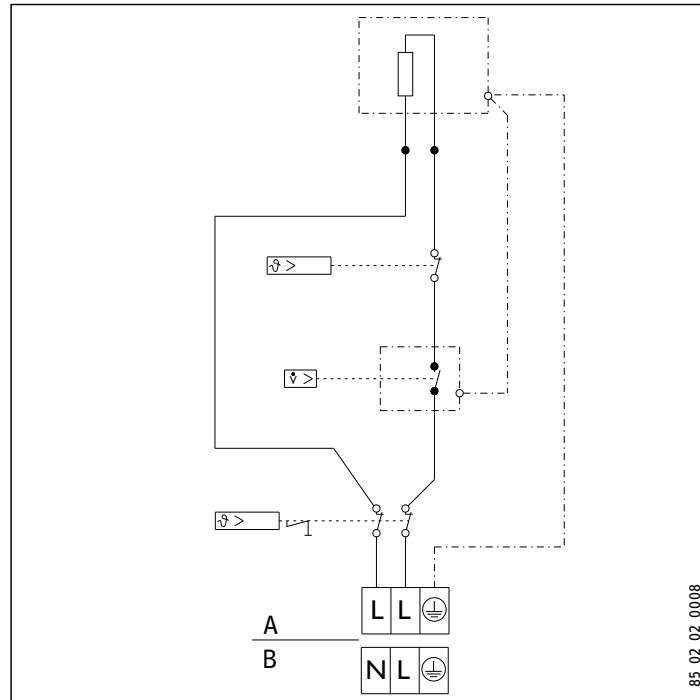
11.2 Schémas de câblage

DHC 3-2 Classic, DHC 4-2 Classic, DHC 5-2 Classic

A  2/GND ~ 208 / 240V

DHC 4-3 Classic

B  1/N/GND ~ 277V



DHC 6-2 Classic, DHC 8-2 Classic, DHC 10-2 Classic

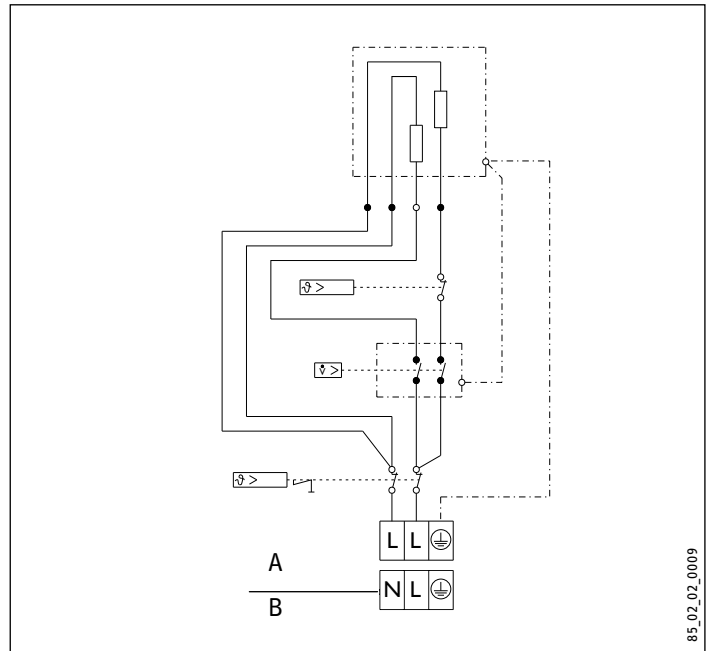
A  2/GND ~ 208 / 240V

DHC 6-3 Classic, DHC 9-3 Classic

B  1/N/GND ~ 277V

DHC 3-1 Classic

B  1/N/GND ~ 120V



INSTALLATION

CARACTÉRISTIQUES TECHNIQUES

11.3 Élévation de température au delà de la température ambiante de l'eau

Type	kw	[°F]									
		GPM (gallons par minute)									
		0,32	0,43	0,48	0,53	0,69	0,75	0,80	1,0	1,5	2,0
DHC 3-1	3,0	65	49	43	41	30	27	26	20	14	10
DHC 3-2	2,5	54	40	35	34	25	23	21	17	11	9
	3,3	71	53	47	45	33	30	28	22	15	11
DHC 4-2	2,9	-	47	41	40	29	26	25	20	13	10
	3,8	-	61	54	52	38	35	33	26	17	13
DHC 4-3	4,5	-	73	64	61	45	41	39	31	20	15
DHC 5-2	3,6	-	58	51	49	36	33	31	25	16	12
	4,8	-	77	68	65	48	44	41	33	22	16
DHC 6-2	4,5	-	-	64	61	45	41	39	31	20	15
	6,0	-	-	85	82	60	55	52	41	27	20
DHC 6-3	6,0	-	-	85	82	60	55	52	41	27	20
DHC 8-2	5,4	-	-	-	-	54	49	46	37	25	18
	7,2	-	-	-	-	71	65	62	49	33	25
DHC 9-3	9,0	-	-	-	-	-	-	77	58	41	31
DHC 10-2	7,2	-	-	-	-	-	-	62	49	33	25
	9,6	-	-	-	-	-	-	82	65	44	33

Débit d'eau minimum pour activer l'appareil

Type	kw	[°C]									
		l/min									
		1,2	1,6	1,8	2,0	2,6	3,0	4,0	5,0	7,5	
DHC 3-1	3,0	36	27	24	22	17	14	11	9	6	
DHC 3-2	2,5	30	22	20	18	14	12	9	7	5	
	3,3	39	30	26	24	18	16	12	9	6	
DHC 4-2	2,9	-	26	23	21	16	14	10	8	6	
	3,8	-	34	30	27	21	18	14	11	7	
DHC 4-3	4,5	-	40	36	32	25	22	16	13	9	
DHC 5-2	3,6	-	32	29	26	20	17	13	10	7	
	4,8	-	43	38	34	26	23	17	14	9	
DHC 6-2	4,5	-	-	36	32	25	22	16	13	9	
	6,0	-	-	48	43	33	29	22	17	11	
DHC 6-3	6,0	-	-	48	43	33	29	22	17	11	
DHC 8-2	5,4	-	-	-	-	30	26	19	15	10	
	7,2	-	-	-	-	40	34	26	21	14	
DHC 9-3	9,0	-	-	-	-	-	43	32	26	17	
DHC 10-2	7,2	-	-	-	-	-	34	26	21	14	
	9,6	-	-	-	-	-	46	34	28	18	

Débit d'eau minimum pour activer l'appareil

INSTALLATION

CARACTÉRISTIQUES TECHNIQUES

11.4 Tableau de données

	DHC 3-1 Classic 202646	DHC 3-2 Classic 202647		DHC 4-2 Classic 202648		DHC 4-3 Classic 202649	DHC 5-2 Classic 202650	
Données électriques								
Voltage	120 V	208 V	240 V	208 V	240 V	277 V	208 V	240 V
Puissance	3,0 kW	2,5 kW	3,3 kW	2,9 kW	3,8 kW	4,5 kW	3,6 kW	4,8 kW
Intensité	25 A	12 A	14 A	14 A	16 A	17 A	18 A	20 A
Taille minimale nécessaire du disjoncteur ¹	25 A	15 A	15 A	15 A	20 A	20 A	20 A	20 A
Sect. de conducteur recommandée ²	10 AWG	14 AWG		14 AWG	12 AWG	12 AWG	12 AWG	
Raccord électrique	1/N/GND	2/GND		2/GND		1/N/GND	2/GND	
Raccordements								
Raccord hydraulique ³	1/2 po. NPT							
Total des métaux alcalino-terreux	2,5 mol/m ³							
Dureté de l'eau (H ₂ O)	14 Degrés d							
Niveau de dureté	2 (dureté moyenne)							
Données hydrauliques								
Capacité nominale	0,13 gal (0,5 l)							
Valeurs								
Température d'arrivée max. admissible	86 °F (30 °C)							
Marche	0,32 gpm (1,2 l/min)	0,32 gpm (1,2 l/min)		0,43 gpm (1,6 l/min)		0,43 gpm (1,6 l/min)	0,43 gpm (1,6 l/min)	
Pertes de charge avec débit volumétrique	0,023 MPa (3,33 psi)	0,023 MPa (3,33 psi)		0,023 MPa (3,33 psi)		0,023 MPa (3,33 psi)	0,023 MPa (3,33 psi)	
Débit volumétrique pour pertes de pression	0,32 gpm (1,2 l/min)	0,32 gpm (1,2 l/min)		0,43 gpm (1,6 l/min)		0,43 gpm (1,6 l/min)	0,43 gpm (1,6 l/min)	
Volume eau chaude sanitaire disponible	0,32 gpm (1,2 l/min)	0,32 gpm (1,2 l/min)		0,43 gpm (1,6 l/min)		0,43 gpm (1,6 l/min)	0,43 gpm (1,6 l/min)	
Limites d'utilisation								
Pression maxi. admissible	150 psi (1 MPa)							
Pression d'essai	300 psi (2 MPa)							
Fabrication								
Indice de protection (IP)	IP25							
Matériau du réservoir à pression	Cuivre							
Système de chauffage	Corps de chauffe tubulaire							
Cache et panneau arrière	Plastique							
Couleur	Blanc							
Dimensions et Poids								
Hauteur	14 ³ / ₁₆ in (360 mm)							
Largeur	7 ¹⁵ / ₁₆ in (202 mm)							
Profondeur	3 ⁷ / ₈ in (98 mm)							
Poids	2,5 kg (5,5 lb)	2,1 kg (4,6 lb)		2,1 kg (4,6 lb)		2,1 kg (4,6 lb)	2,1 kg (4,6 lb)	

Modèles DHC 3-1, 3-2, 4-2 navire avec une pression de 1,9 l/min (0,5 gpm) compensant flux réducteur/aérateur qui doit être installé.

¹ Ceci est notre recommandation pour la protection de surintensité à 100% de la charge. (2P pour 240/208/277 V & 1P pour 120 V modèles).

Les chauffe-eau sans réservoir sont considérés comme une charge non continue. Les interrupteurs de circuit de défaut à la terre de classe A sont recommandés. Vérifiez les codes locaux de la conformité si nécessaire.

² Le cuivre doit être utilisé. Les conducteurs doivent être choisis pour maintenir une baisse de tension inférieure à 3% sous tension.

³ Convenant pour l'alimentation en eau froide.

INSTALLATION

CARACTÉRISTIQUES TECHNIQUES

	DHC 6-2 Classic		DHC 6-3 Classic	DHC 8-2 Classic		DHC 9-3 Classic	DHC 10-2 Classic	
	202651		202652	202653		202654	202655	
Données électriques								
Voltage	208 V	240 V	277 V	208 V	240 V	277 V	208 V	240 V
Puissance	4,5 kW	6,0 kW	6,0 kW	5,4 kW	7,2 kW	9,0 kW	7,2 kW	9,6 kW
Intensité	22 A	25 A	21,7 A	26 A	30 A	32,5 A	35 A	40 A
Taille minimale nécessaire du disjoncteur ¹	25 A	25 A	25 A	30 A	30 A	35 A	35 A	40 A
Sect. de conducteur recommandé ²	10 AWG		10 AWG	10 AWG		8 AWG	8 AWG	
Raccord électrique	2/GND		1/N/GND	2/GND		1/N/GND	2/GND	
Raccordements								
Raccord hydraulique ³	1/2 po. NPT							
Total des métaux alcalino-terreux	2,5 mol/m ³							
Dureté de l'eau (H ₂ O)	14 Degrés d							
Niveau de dureté	2 (dureté moyenne)							
Données hydrauliques								
Capacité nominale	0,5 l (0,13 gal)							
Valeurs								
Température d'arrivée max. admissible	86 °F (30 °C)							
Marche	1,8 l/min (0,48 gpm)		1,8 l/min (0,48 gpm)	2,6 l/min (0,69 gpm)		3,0 l/min (0,8 gpm)	3,0 l/min (0,8 gpm)	
Pertes de charge avec débit volumétrique	0,023 MPa (3,33 psi)		0,022 MPa (3,33 psi)	0,025 MPa (3,63 psi)		0,03 MPa (4,35 psi)	0,03 MPa (4,35 psi)	
Débit volumétrique pour pertes de pression	1,8 l/min (0,48 gpm)		1,8 l/min (0,48 gpm)	2,6 l/min (0,69 gpm)		3,0 l/min (0,8 gpm)	3,0 l/min (0,8 gpm)	
Limites d'utilisation								
Pression maxi. admissible	1 MPa (150 psi)							
Pression d'essai	2 MPa (300 psi)							
Fabrication								
Matériau du réservoir à pression	Cuivre							
Système de chauffage	Corps de chauffe tubulaire							
Cache et panneau arrière	Plastique							
Couleur	Blanc							
Dimensions et Poids								
Hauteur	360 mm (14 ³ / ₁₆ po.)							
Largeur	202 mm (7 ¹⁵ / ₁₆ po.)							
Profondeur	98 mm (3 ⁷ / ₈ po.)							
Poids	2,5 kg (5,5 lb)							

¹ Ceci est notre recommandation pour la protection de surintensité à 100% de la charge. (2P pour 240/208/277 V & 1P pour 120 V modèles). Les chauffe-eau sans réservoir sont considérés comme une charge non continue. Les interrupteurs de circuit de défaut à la terre de classe A sont recommandés. Vérifiez les codes locaux de la conformité si nécessaire.

² Le cuivre doit être utilisé. Les conducteurs doivent être choisis pour maintenir une baisse de tension inférieure à 3% sous tension.

³ Convenant pour l'alimentation en eau froide.

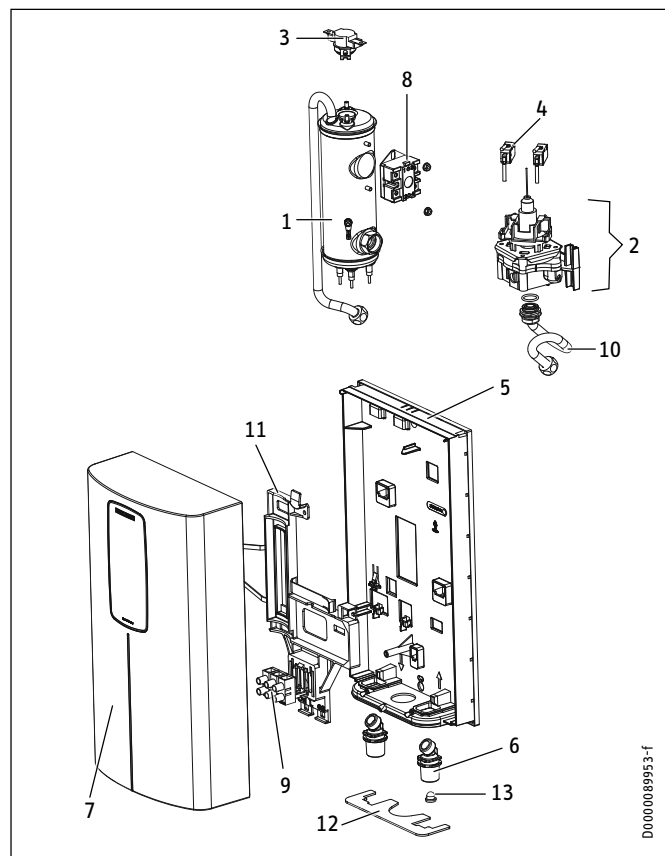
INSTALLATION

PIÈCES DE RECHANGE

12. Pièces de rechange

No.	de pièce de rechange	DHC 3-1 Classic	DHC 3-2 Classic	DHC 4-2 Classic	DHC 4-3 Classic	DHC 5-2 Classic
1	Système de chauffage	165889	167769	167770	165890	167771
2	Commutateur de débit	165273	165273	162162	162162	162162
3	Thermostat	162472	162472	162472	162472	162472
4	Commutateur	168026	168026	168026	168026	168026
5	Couvercle (arrière)	326968	326968	326968	326968	326968
6	Branchement de plomberie	326589	326589	326589	326589	326589
7	Couvercle (avant)	326965	326965	326965	326965	326965
8	Disjoncteur thermique de sécurité	162474	162474	162474	162474	162474
9	Bloc de câblage	026010	026010	026010	026010	026010
10	Tube de cuivre	162314	162314	162314	162314	162314
11	Châssis du module	342052	342052	342052	342052	342052
12	Feuille de verrouillage	326234	326234	326234	326234	326234
13	Filtre	275981	275981	275981	275981	275981

No.	de pièce de rechange	DHC 6-2 Classic	DHC 6-3 Classic	DHC 8-2 Classic	DHC 9-3 Classic	DHC 10-2 Classic
1	Système de chauffage	171117	342051	167772	296874	167773
2	Commutateur de débit	171105	171105	162164	162165	162165
3	Thermostat	162472	162472	162472	162472	162472
4	Commutateur	168026	168026	168026	168026	168026
5	Carter (arrière)	326968	326968	326968	326968	326968
6	Branchement de plomberie	326589	326589	326589	326589	326589
7	Carter (avant)	326965	326965	326965	326965	326965
8	Disjoncteur thermique de sécurité	162474	162474	162474	162474	162474
9	Bloc de câblage	026010	026010	026010	026010	026010
10	Tube de cuivre	162314	162314	162314	162314	162314
11	Châssis du module	342052	342052	342052	342052	342052
12	Feuille de verrouillage	326234	326234	326234	326234	326234
13	Filtre	275981	275981	275981	275981	275981



13. Garantie

Sous réserve du respect des termes et conditions définis dans la présente garantie à vie limitée, Stiebel Eltron, Inc. (ci-après, le « Fabricant ») garantit à l'acheteur d'origine (ci-après le « Propriétaire ») que tous les chauffe-eau électrique sans réservoir (ci-après, le « Chauffe-eau ») ne doit pas (i) des fuites dues à des défauts de matériaux ou de fabricant de fabrication pendant une période de sept (7) ans à compter de la date d'achat ou (ii) l'échec en raison de défauts dans les matériaux ou de fabrication du fabricant pour une période de trois (3) ans à compter de la date d'achat. Le seul et unique recours du propriétaire dans le cadre de la garantie susmentionnée sera pour le Propriétaire de soit réparer en usine, soit remplacer le Chauffe-eau défectueux (à la discrétion du fabricant) avec soit un appareil de rechange, soit une ou des pièces ayant les mêmes caractéristiques d'exploitation. La responsabilité financière maximale du Fabricant ne pourra en aucun cas aller au-delà du prix d'achat du le Chauffe-eau.

Cette garantie limitée représente la seule garantie accordée par le fabricant et annule toute les autres garanties, orales ou écrites, expresses ou implicites, y compris, mais sans y être limitées les garanties de qualité marchande ou d'aptitude à un usage particulier. Le fabricant rejette toute responsabilité pour les dommages ou frais indirects, consécutifs ou autres résultant directement ou indirectement de tout vice présent dans le chauffe-eau ou survenu lors de l'usage du Chauffe-eau. Le fabricant rejette toute responsabilité pour tout dégât des eaux ou tout autre dégât matériel encouru par le propriétaire, résultant directement ou indirectement de tout vice présent dans le Chauffe-eau ou survenu lors de l'usage du Chauffe-eau. Seul le Fabricant est autorisé à énoncer les garanties au nom du Fabricant et aucune déclaration, garantie ou autre document énoncé par une tierce partie ne saurait engager la responsabilité du Fabricant.

Le Fabricant rejette toute responsabilité pour tout dommage causé par ou en relation avec :

1. toute mauvaise utilisation ou négligence du chauffe-eau, tout accident subi par le chauffe-eau, toute modification du chauffe-eau ou tout autre usage non prévu,
2. les calamités naturelles ou toute autre circonstance sur laquelle le fabricant n'a aucun contrôle,
3. l'installation du chauffe-eau autre que conformément aux directives du fabricant et autre que conformément

- aux codes de la construction en vigueur,
4. le non-respect des procédures d'entretien du chauffe-eau ou l'utilisation du chauffe-eau non conformes aux directives du fabricant,
5. l'utilisation du chauffe-eau avec une pression d'eau irrégulière ou dans le cas où le chauffe-eau serait alimenté en eau non potable pour toute durée que ce soit,
6. une installation incorrecte ou l'utilisation de matériaux incorrects par un installateur et sans relation avec les vices de fabrication ou de matériel du fabricant,
7. déplacer le Chauffe-eau de son lieu d'installation d'origine;
8. l'exposition au gel,
9. problèmes de qualité de l'eau comme l'eau corrosive, l'eau dure et de l'eau contaminée par des polluants ou des additifs,

Si le Propriétaire désire renvoyer le Chauffe-eau au Fabricant pour qu'il soit réparé ou remplacé dans le cadre de cette Garantie, le Propriétaire doit d'abord obtenir l'autorisation écrite du Fabricant. Le Propriétaire doit apporter la preuve d'achat, y compris la date d'achat, et sera responsable de tous les frais de transport et de dépose. Si le Propriétaire ne peut pas apporter la preuve de la date d'achat, cette Garantie sera limitée à la période commençant à la date de fabrication estampée sur le Chauffe-eau. Le Fabricant se réserve le droit de rejeter toute couverture de la Garantie à la suite d'une inspection du Chauffe-eau par le Fabricant. Cette Garantie ne s'applique qu'au propriétaire et ne peut pas être transférée.

Certains États et Provinces n'autorisent pas l'exclusion ou la limitation de certaines garanties. Dans ce cas, les limites ci-mentionnées peuvent ne pas s'appliquer au propriétaire. Dans ce cas, la Garantie sera limitée à la période la plus courte et aux dommages et intérêts les plus faibles autorisés par la loi. Cette garantie vous octroie des droits légaux spécifiques. Il est toutefois possible que vous ayez d'autres droits en fonction de votre juridiction.

Le Propriétaire sera responsable de tous les frais de main-d'œuvre et autres encourus lors de la dépose ou de la réparation du Chauffe-eau sur le chantier. Veuillez également noter que le Chauffe-eau doit être installé de sorte qu'en cas de fuite, l'eau qui s'écoule doit couler de façon à ne pas endommager l'endroit où il est installé.

Environnement et recyclage

Veuillez nous aider à protéger l'environnement en mettant les matériaux d'emballage au rebut conformément aux règlements nationaux relatifs au traitement des déchets.



L'installation, le branchement électrique et la première mise en route de cet appareil doivent être exécutés par un prestataire qualifié.



La société rejette toute responsabilité pour toute défaillance du produit livré qui n'aurait pas été installé et mis en route conformément aux directives du fabricant.

NOTES

NOTES

NOTES

STIEBEL ELTRON, Inc.
17 West Street | West Hatfield MA 01088
Tel. 413-247-3380 | Fax 413-247-3369
info@stiebel-eltron-usa.com
www.stiebel-eltron-usa.com

STIEBEL ELTRON

Subject to errors and technical changes! | ¡Sujeto a errores y cambios técnicos! |
Sous réserve d'erreurs et de modifications techniques!

A 342193-41959-9539