



The new degree of comfort.®



Residential Gas  
RTGH Series Tankless  
Water Heaters

# Rheem® RTGH Series Super High Efficiency Condensing Tankless Gas Water Heaters

## Easy Installation

- PVC Vent runs up to 60' (2"), 150' (3")
- Enhanced design is up to 20% smaller and lighter making one-person installs even easier

## Ready for Retrofits

- **Industry Best!** 1/2" side to side clearance allows you to safely work in spaces the competition can't
- 1/2" Gas line compatibility (subject to local code)

## Key Features

- **Rheem® Exclusive!** Hot-start Programming™ ensures the unit is in a ready state between back-to-back usage, minimizing any cold water bursts
- Built-in EcoNet® Wi-Fi technology for direct control from your device (on select models)
- LeakGuard® – All-inclusive leak detection and prevention system that detects any leak that comes from the unit (on indoor Wi-Fi models)

## Specifications

Rheem Model Number	RTGH-68DVLN-3	RTGH-84DVLN-3	RTGH-90DVLN-3	RTGH-95DVLN-3
<b>Built-in LeakGuard™ Model Number</b>				<b>RTGH-95DVELN-3 (Wi-Fi Model)</b>
<b>Gas Input Rate</b>	<b>MAX</b>	120,000 BTU/h	157,000 BTU/h	180,000 BTU/h
	<b>MIN</b>	11,000 BTU/h	11,000 BTU/h	11,000 BTU/h
<b>Uniform Energy Factor (UEF)</b>	0.90	0.93		
<b>Gallons Per Minute (GPM)</b>	<b>MAX (35°F)</b>	6.6	8.4	9.0
	<b>45°F Rise</b>	5.1	6.7	7.7
	<b>67°F Rise</b>	3.4	4.6	5.2
<b>Number of Bathrooms<sup>1</sup></b>	2.5	3	3 - 4	4
<b>Temp. Range</b>	100°F - 140°F			
<b>Temp. Setting from Factory</b>	120°F			
<b>High Temp. Upgrade Available</b>	No			
<b>Freeze Protection</b>	-30°F Air Intake <sup>2</sup> , -4°F Ambient			
<b>Installation Type</b>	Indoor (Outdoor Conversion Kit sold separately: RTGH-X)			
<b>Heat Exchanger Material</b>	Primary: Copper – Secondary: Stainless Steel			
<b>Minimum Activation Flow</b>	0.4 GPM			
<b>Minimum Continuous Flow</b>	0.26 GPM			
<b>Maximum Altitude</b>	7,800 ft.			
<b>Ultra Low NOx</b>	Meets 14 ng/J NOx requirements - SCAQMD Rule 1146.2 compliant			
<b>Warranty</b>	15 year Heat Exchanger   5-Year Parts   1-Year Labor			
<b>Height</b>	23.7"			
<b>Width</b>	17.7"			
<b>Depth</b>	9.8"			
<b>Weight (Lbs.)</b>	52.9			
<b>Venting Diam. Allowed</b>	2" / 3"			
<b>Max. Single Vent Run (straight pipe)</b>	60 ft (2") / 150 ft (3")			
<b>Venting Materials</b>	Sched. 40 PVC, CPVC, Polypropylene			
<b>Manifold Controls (max. units)</b>	6 Units <sup>3</sup>			
<b>Controls</b>	Built-in digital display			
<b>Power Supply</b>	120V 60Hz			
<b>Max. Power Consumption</b>	85W (Normal use), 0.7 Amps 132W (Antifreeze), 1.1 Amps 3.5W (Standby), 0.03 Amps <sup>4</sup>			
<b>Gas Connection</b>	3/4" NPT			
<b>Hot Water Connection</b>	3/4" NPT			
<b>Cold Water Connection</b>	3/4" NPT			
<b>Condensate Connection</b>	1/2" NPT			
<b>Vent Connections Diameter</b>	2" Band Connections (Adapter required to vent with 3" PVC from unit)			

All models are available in Natural Gas or Propane (LP). For Propane replace the N with P for LP model.



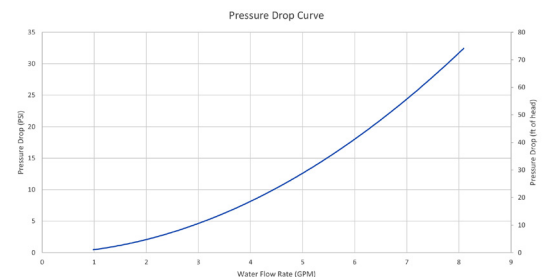
## RTGH Series Models

Indoor Models  
(Outdoor Conversion Kit Available: **RTGH-X**)  
11,000-199,900 BTU/h  
Natural Gas and  
Liquid Propane Models\*

\*Swap P for N in model number for Liquid Propane model



Clearances	
<b>Top / Bottom</b>	12"
<b>Front</b>	1/2" <sup>5</sup>
<b>Sides</b>	1/2"
<b>Back / From Vent Pipe</b>	0"



<sup>1</sup> Based on simultaneous showers using 2.5 GPM flow rate pre-mixed with cold water line. Flow rates vary depending on temperature of incoming cold water and water heater set temperature. Refer to flow rate curves for accurate sizing. <sup>2</sup> For indoor application, this is the temperature of outdoor intake air. <sup>3</sup> Manifolds with standard RJ11 communication cables. <sup>4</sup> If anti freeze is on and combustion is on, total W will be 217W (85+132). <sup>5</sup> Recommended 24" clearance for service.



INTEGRATED HOME COMFORT

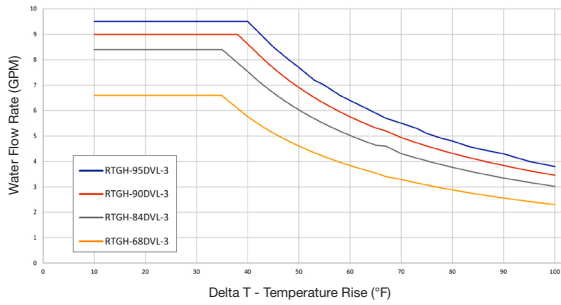


The new degree of comfort.®



Residential Gas  
RTGH Series Tankless  
Water Heaters

## Water Heater Flow Rate Curves

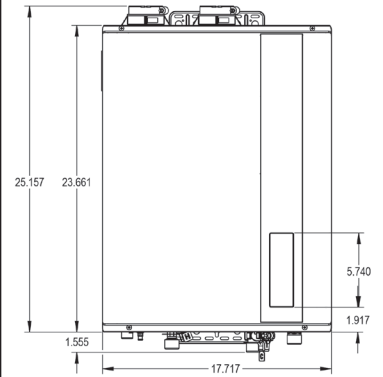


## Water Flow (GPM)

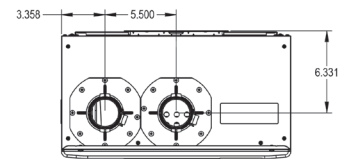
Model Number	Temperature Rise (°F)									
	35°	45°	50°	60°	67°	70°	80°	90°	100°	
RTGH-95DVL-3	9.5	8.5	7.7	6.4	5.7	5.5	4.8	4.3	3.8	
RTGH-90DVL-3	9.0	7.7	6.9	5.8	5.2	4.9	4.3	3.8	3.5	
RTGH-84DVL-3	8.4	6.7	6.0	5.0	4.6	4.3	3.8	3.3	3.0	
RTGH-68DVL-3	6.6	5.1	4.6	4.6	3.4	3.3	2.9	2.6	2.3	

Above estimates are for sizing purposes only.

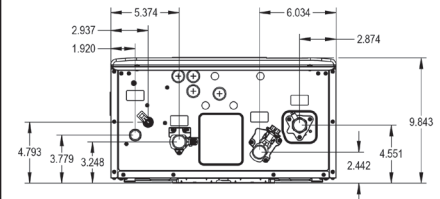
## Dimensions



### TOP VIEW



### BOTTOM VIEW



## Venting

SINGLE UNIT: MAX. EQUIVALENT VENT LENGTHS - STRAIGHT PIPE		
Number of 90° Elbows	Max Length 2" straight pipe	Max. length 3" straight pipe
0	60 ft. (18.3 m)	150 ft. (45.7 m)
1	54 ft. (16.5 m)	144 ft. (43.9 m)
2	48 ft. (14.6 m)	138 ft. (42.7 m)
3	42 ft. (12.8 m)	132 ft. (40.2 m)
4	36 ft. (11.0 m)	126 ft. (38.4 m)
5	30 ft. (9.1 m)	120 ft. (36.6 m)
6	24 ft. (7.3 m)	114 ft. (34.7 m)

Equivalent Ft. of Elbows		
	2" Pipe	3" Pipe
90° Elbow	6 ft. (1.83 m)	6 ft. (1.83 m)
45° Elbow	3 ft. (0.9 m)	3 ft. (0.9 m)

Venting Materials Allowed: Schedule 40 PVC, CPVC, Polypropylene

Min. Vent Length Straight Pipe	
Number of 90° Elbows	Min. Length 2" 3" pipe
1	1.0 ft (0.3 m)

Hanging bracket and bird screens are included with water heater.

## Parts & Accessories

Condensate Neutralizer	Recirculation Pump	Pipe Cover	Horizontal Vent Termination	Concentric Vent Termination	AllClear® Water Treatment System	Isolation Valve Kit	Manifold Cables	Outdoor Conversion Kit
RTG20329AR (optional)	AP17920	AP22097	2" US: SP21069G 3" US: SP21069E	2" - SP20897 3" - SP20245	RTG20251	RTG20326	RCPN-AMP03-001311101-0003 (48")	RTGH-X

In keeping with its policy of continuous progress and product improvement, Rheem reserves the right to make changes without notice.

Rheem Water Heating • 1115 Northmeadow Parkway, Suite 100  
Roswell, Georgia 30076 • www.rheem.com

Rheem Canada Ltd./Ltée • 125 Edgeware Road, Unit 1  
Brampton, Ontario L6Y 0P5 • www.rheem.com



INTEGRATED HOME COMFORT